



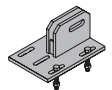
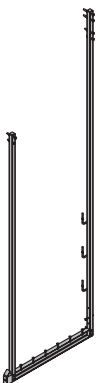


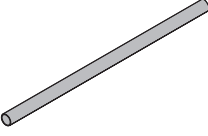
	[kg]	Article n°
Doka folding platform K 3.00m	291.5	580442000
Doka folding platform K 4.50m	444.5	580443000
Doka-Faltbühne K		
		
Timber parts varnished yellow Steel parts galvanised Delivery condition: folded closed		

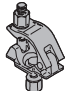
	[kg]	Article n°
Folding bracket K	52.4	580441000
Faltkonsole K		
		
Galvanised Length: 224 cm Height: 245 cm Delivery condition: folded closed Suspension head for use on suspension cone.		


	[kg]	Article n°
Connection shoe K	6.4	580451000
Anschlusssschuh K		
		
Galvanised Length: 25 cm Width: 17 cm		

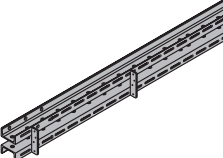
	[kg]	Article n°
Suspended platform 120 3.30m	44.0	580411000
Suspended platform 120 4.30m	52.6	580412000
Hängebühne 120		
		
Galvanised Delivery condition: folded closed		

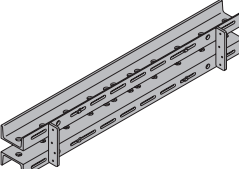
Scaffold tube 48.3mm 1.00m	4.0	682014000
Scaffold tube 48.3mm 1.50m	6.0	682015000
Scaffold tube 48.3mm 2.00m	8.0	682016000
Scaffold tube 48.3mm 2.50m	10.0	682017000
Scaffold tube 48.3mm 3.00m	12.0	682018000
Scaffold tube 48.3mm 3.50m	14.0	682019000
Scaffold tube 48.3mm 4.00m	16.0	682021000
Scaffold tube 48.3mm 4.50m	18.0	682022000
Scaffold tube 48.3mm 5.00m	20.0	682023000
Scaffold tube 48.3mm 5.50m	22.0	682024000
Scaffold tube 48.3mm 6.00m	24.0	682025000
Scaffold tube 48.3mmm	4.0	682001000
Gerüströhr 48,3mm		

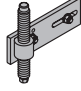
	Galvanised	
---	------------	--

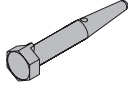
	[kg]	Article n°
Screw-on coupler 48mm 50	0.84	682002000
Anschraubkupplung 48mm 50		
		
Galvanised Width-across: 22 mm		


	[kg]	Article n°
Swivel coupler 48mm	1.5	582560000
Drehkupplung 48mm		
		
Galvanised Width-across: 22 mm		

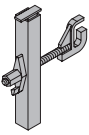
	[kg]	Article n°
Multi-purpose waling WS10 Top50 3.00m	60.2	580011000
Multi-purpose waling WS10 Top50 3.50m	68.4	580012000
Multi-purpose waling WS10 Top50 4.00m	79.4	580013000
Mehrzweckriegel WS10 Top50		
		
Painted blue Space between flange profiles: 5.3 cm Moment of inertia: 412.0 cm ⁴ Section modulus: 82.4 cm ³		

	[kg]	Article n°
Steel waling WS10 Top50 3.00m	60.4	580048000
Steel waling WS10 Top50 3.50m	71.5	580050000
Steel waling WS10 Top50 4.00m	82.1	580052000
Stahlwandriegel WS10 Top50		
		
Painted blue Space between flange profiles: 5.3 cm Moment of inertia: 412.0 cm ⁴ Section modulus: 82.4 cm ³		

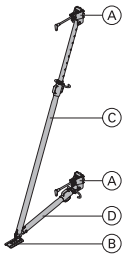
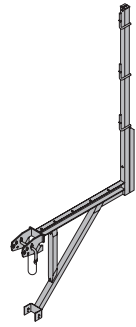
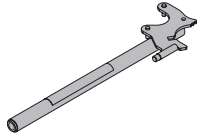
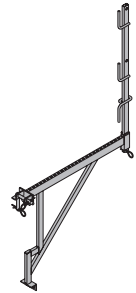
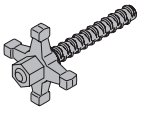


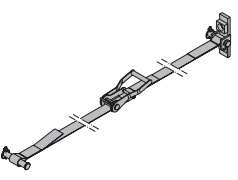
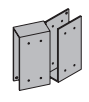
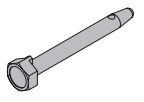
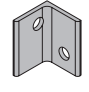
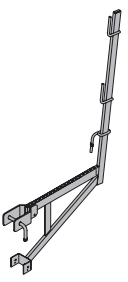
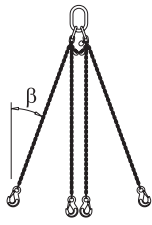
	[kg]	Article n°
Adjusting spindle M36	6.2	500663002
Höhenjustierspindel M36		
		
Galvanised Length: 31 cm Height: 29.2 cm		

	[kg]	Article n°
Connecting pin 10cm	0.34	580201000
Verbindungsbolzen 10cm		
		
Galvanised Length: 14 cm Packed in units of 100		

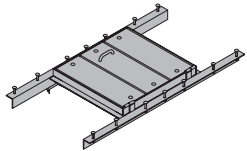
	[kg]	Article n°
Spring cotter 6mm	0.06	580204000
Federvorstecker 6mm		
		
Galvanised Length: 13 cm Packed in units of 250		

	[kg]	Article n°
Waling-to-bracket holder	2.5	580526000
Keilriegelhalter		
		
Galvanised Length: 26 cm Height: 31 cm		

	[kg]	Article n°
Framax wedge clamp	1.5	588152000
Framax-Spannklemme		
		
Galvanised Length: 21 cm		

	[kg]	Article n°		[kg]	Article n°	
Panel strut 340 Elementsstütze 340 consisting of: (A) Prop head 2 pcs. Galvanised Length: 40.8 cm Width: 11.8 cm Height: 17.6 cm (B) Prop shoe Galvanised Length: 20 cm Width: 11 cm Height: 10 cm (C) Plumbing strut 340 Galvanised Length: 190 - 341 cm (D) Adjusting strut 120 Length: 80 - 130 cm	30.2	588246000	 <p>Galvanised Delivery condition: folded closed Observe all applicable safety regulations.</p>	Universal bracket 90 Universal-Konsole 90  <p>Galvanised Length: 121 cm Height: 235 cm Observe all applicable safety regulations.</p>	30.4	580476000
Universal dismantling tool Universal-Lösewerkzeug  <p>Galvanised Length: 75.5 cm</p>	3.7	582768000	Framax bracket 90 Framax-Konsole 90  <p>Galvanised Width: 103 cm Height: 185 cm Delivery condition: railing included Observe all applicable safety regulations.</p>	12.5	588167000	
Star screw Sternschraube  <p>Galvanised Length: 17 cm</p>	0.75	580425000	Handrail clamp S Schutzgeländerzwinge S  <p>Galvanised Height: 123 - 171 cm</p> 	11.5	580470000	
Wind bracing MF/150F/K 6.00m Windabspannung MF/150F/K 6,00m  <p>Galvanised</p>	4.7	580665000	Universal railing shackle Universal-Geländerbügel  <p>Galvanised Height: 20 cm</p>	3.0	580478000	
Pin for folding bracket A Steckbolzen für Faltkonsole A  <p>Galvanised Length: 16 cm</p>	0.29	500403330	Scaffold tube connection Gerüstrohranschluss  <p>Galvanised Height: 7 cm</p>	0.27	584375000	
Top scaffold bracket L Betonierkonsole L  <p>Painted blue Length: 101 cm Height: 159 cm Observe all applicable safety regulations.</p>	12.0	587153000	Doka 4-part chain 3.20m Doka-Vierstrangkette 3,20m  <p>Max. load: With angle of inclination β 30°: 2400 kg (with 2 cables) or 3600 kg (with 4 cables) Follow the directions in the "Operating Instructions"!</p> <p>CE</p>	15.0	588620000	

	[kg]	Article n°
Passage Durchstieg	37.0	580832000

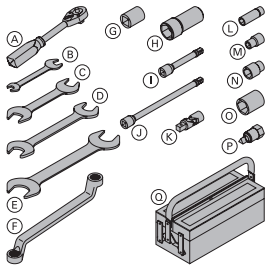


Galvanised
Length: 134 cm
Width: 72 cm

Universal tool box 15.0	9.1	580392000
--------------------------------	------------	------------------

Universal-Werkzeugbox 15,0
included in scope of supply:

(A) Reversible ratchet 1/2" Galvanised Length: 30 cm	0.73	580580000
(B) Fork wrench 13/17	0.08	580577000
(C) Fork wrench 22/24	0.22	580587000
(D) Fork wrench 30/32	0.80	580897000
(E) Fork wrench 36/41	1.0	580586000
(F) Ring spanner 17/19	0.27	580590000
(G) Square nut 22	0.31	580589000
(H) Box spanner 41	0.99	580585000
(I) Extension 11cm	0.20	580581000
(J) Extension 22cm	0.31	580582000
(K) Universal joint coupling	0.16	580583000
(L) Nut for box spanner 19	0.16	580598000
(M) Box nut 13	0.06	580576000
(N) Box nut 24	0.12	580584000
(O) Box nut 30 1/2"	0.20	580575000
(P) Positioning cone spanner 15.0 DK Galvanised Length: 8 cm Width-across: 30 mm	0.30	580579000



[kg] Article n°