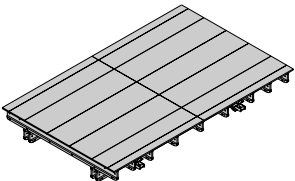
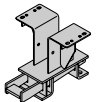

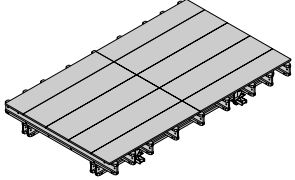

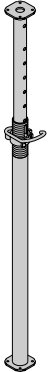


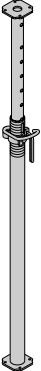
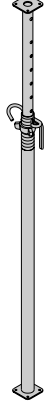
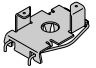

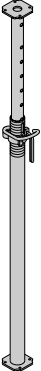
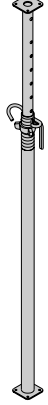
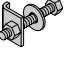
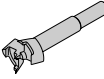
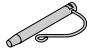
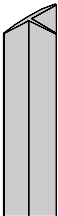

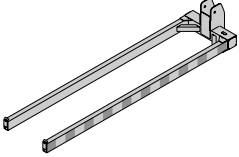
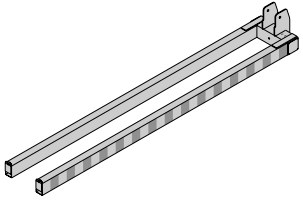
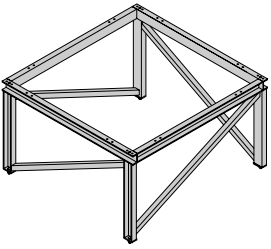
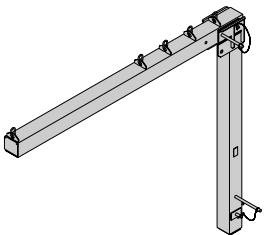



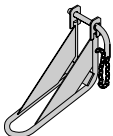
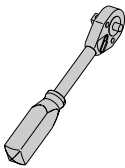

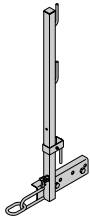
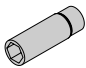

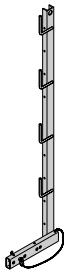
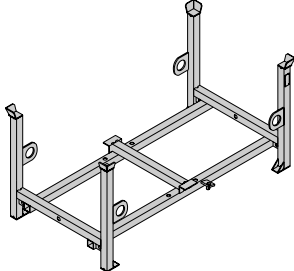


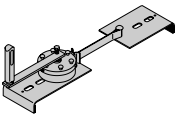


	Weight kg	Article n°		Weight kg	Article n°		Weight kg	Article n°
Dokaflex table 2.50 x 4.00 m - 21 mm Dokaflex table 2.50 x 5.00 m - 21 mm Dokaflex-Tisch	385.0	586052		Doka floor prop Eurex 30 250 extension range 147 - 250 cm Doka floor prop Eurex 30 300 extension range 172 - 300 cm Doka floor prop Eurex 30 350 extension range 197 - 350 cm Doka floor prop Eurex 30 400 extension range 222 - 400 cm Doka-Deckenstütze Eurex 30 galvanised	14.8 586092 16.7 586093 20.5 586094 24.7 586095	Table head 20 Tischkopf 20 galvanised, powder-coated, blue length 41 cm, width 33 cm, height 30 cm 	16.5 586085	
	470.0	586053						perm. load: at any telescoping length 30 kN to EN 1065 
Dokaflex table 2.50 x 4.00 m - 27 mm Dokaflex table 2.50 x 5.00 m - 27 mm Dokaflex table 2.00 x 4.00 m - 27 mm Dokaflex table 2.00 x 5.00 m - 27 mm Dokaflex-Tisch	405.0	586054		perm. load: at any telescoping length 30 kN to EN 1065 		Spring cotter 6 mm Federvorstecker 6 mm galvanised length 13 cm packed in units of 300 	0.06 586024	
	485.0	586055						Doka floor prop Eurex 20 250 extension range 147 - 250 cm Doka floor prop Eurex 20 300 extension range 172 - 300 cm Doka floor prop Eurex 20 350 extension range 197 - 350 cm Doka floor prop Eurex 20 400 extension range 222 - 400 cm Doka floor prop Eurex 20 550 extension range 297 - 550 cm Doka-Deckenstütze Eurex 20 galvanised perm. load: at any telescoping length 20 kN to EN 1065 
Doka floor prop Eco 20 260 extension range 152 - 260 cm Doka floor prop Eco 20 300 extension range 172 - 300 cm Doka floor prop Eco 20 350 extension range 197 - 350 cm Doka floor prop Eco 20 410 extension range 227 - 410 cm Doka-Deckenstütze Eco 20 galvanised perm. load: at any telescoping length 20 kN to ÖNORM B 4009	12.9	586086		11.7 586134 13.0 586135 15.3 586136 19.2 586137		Supporting head H 20 DF Haltekopf H 20 DF galvanised length 19 cm, width 11 cm, height 8 cm 	0.77 586179	
	15.3	586087						Connection unit DF 20/30 Spanneinheit DF 20/30 galvanised width 15 cm, height 12 cm, width-across 19 mm 
Doka floor prop Eco 20 350 extension range 197 - 350 cm Doka floor prop Eco 20 410 extension range 227 - 410 cm Doka-Deckenstütze Eco 20 galvanised perm. load: at any telescoping length 20 kN to ÖNORM B 4009	17.8	586088		11.7 586134 13.0 586135 15.3 586136 19.2 586137		Beam screwing S 8/60 Riegelverschraubung S 8/60 galvanised length 7 cm, width-across 13 mm packed in units of 300 	0.06 580116	
	22.2	586089						Center bit DF 30 Zentrumsbohrer DF 30 
34.6	586090							

	Weight kg	Article n°		Weight kg	Article n°		Weight kg	Article n°
<p>Spring locked connecting pin 16 mm Federbolzen 16 mm</p> <p>galvanised length 15 cm packed in units of 100</p> 	0.25	582528	<p>Attachable drive unit DF Andockantrieb DF</p> <p>painted blue length 100 cm, width 100 cm, height 130 cm</p> <p>perm. load: 1200 kg (12 kN) N.B.: Follow the directions in the instruction manual!</p>	512.0	586062	<p>Transport fork DF 1 t / 0.90 m Transport fork DF 1 t / 1.30 m Transport fork DF 1 t / 2.00 m Gabel DF 1 t</p> <p>galvanised length 411 cm, height 58 cm</p> <p>perm. load: 1000 kg (10 kN) N.B.: Follow the directions in the instruction manual!</p>	220.0 245.0 274.0	586069 586070 586071
<p>T-ledge 21/42 2.00 m T-Leiste 21/42 2,00 m</p> <p>grey</p> 	0.34	580196	<p>CE</p> 			<p>CE</p> 		
<p>Shifting trolley DF Umsetzwagen DF</p> <p>galvanised length 181 cm, width 130 cm height min. 154 cm, max. 303 cm</p> <p>included in scope of supply: Positioning lever for shifting trolley DF Lifting motor DF painted blue Brace stirrup 8 4 pcs. enclosed, loose</p> <p>electricity supply for hydraulic drive: 220 V / 50 Hz perm. load: 1200 kg (12 kN) N.B.: Follow the directions in the instruction manual!</p>	566.0	586080	<p>Lifting extension DF 1 t Ausleger DF 1 t</p> <p>galvanised length 336 cm, width 66 cm, height 309 cm</p> <p>delivery method: folded closed perm. load: 1000 kg (10 kN) N.B.: Follow the directions in the instruction manual!</p>	263.0	586068	<p>Transport fork DF 1.5 t / 0.90 m Transport fork DF 1.5 t / 1.30 m Transport fork DF 1.5 t / 2.00 m Gabel DF 1,5 t</p> <p>galvanised length 638 cm, height 71 cm</p> <p>perm. load: 1500 kg (15 kN) N.B.: Follow the directions in the instruction manual!</p>	480.0 520.0 540.0	586065 586066 586067
	6.0	586063				<p>CE</p> 		
	25.5	586075						
	2.7	582751						
			<p>Lifting extension DF 1.5 t Ausleger DF 1,5 t</p> <p>galvanised length 456 cm, width 82 cm, height 386 cm delivery method: folded closed</p> <p>perm. load: 1500 kg (15 kN) N.B.: Follow the directions in the instruction manual!</p>	475.0	586064	<p>Lifting rod 15.0 Umsetzstab 15,0</p> <p>painted blue height 57 cm</p> <p>Safety instruction: Never weld or heat tie-rods - risk of fracture! perm. load: 300 kg (3 kN) for single beams; 1000 kg (10 kN) for double beams in conjunction with retaining plate 15.0. N.B.: Follow the directions in the instruction manual!</p>	1.9	586074
<p>Stacking frame DF Aufsatzrahmen DF</p> <p>galvanised length 134 cm, width 130 cm, height 75 cm</p> <p>N.B.: Follow the directions in the instruction manual!</p> 	82.0	586079	<p>CE</p> 			<p>CE</p> 		
<p>Stacking frame ST 1.50 m Aufsatzrahmen ST 1,50 m</p> <p>galvanised length 134 cm, width 130 cm, height 164 cm</p> <p>perm. load: 1200 kg (12 kN) N.B.: Follow the directions in the instruction manual!</p>	285.0	586060				<p>Retaining plate 15.0 Jochplatte 15,0</p> <p>galvanised length 17 cm, width 12 cm, height 11 cm</p> 	1.8	586073
						<p>Universal plug R 20/25 Kombi-Ankerstopfen R 20/25</p> <p>colourless Ø 3 cm packed in units of 100</p> 	0.003	588180

	Weight kg	Article n°		Weight kg	Article n°		Weight kg	Article n°
<p>Lifting hook DF Umsetzbügel DF</p> <p>galvanised length 42 cm, width 20 cm, height 36 cm</p> <p>perm. load: 3 kN N.B.: Follow the directions in the instruction manual!</p> <p>CE</p> 	5.9	586077	<p>Reversible ratchet 1/2" Umschaltknarre 1/2"</p> <p>galvanised length 30 cm</p> 	0.73	580580	<p>Bolt-on castor set Anklemm-Radsatz</p> <p>painted blue</p> <p>consisting of: 2 x bolt-on castors, complete overall depth 23 cm 2 x heavy-duty wheels, complete overall depth 32 cm</p> <p>perm. load: 1100 kg (11 kN) N.B.: Fit onto the Doka stacking pallet and the Doka accessory box</p> 	33.5	586154
<p>Handrail post DF Steckgeländer DF</p> <p>galvanised height 142 cm</p> 	14.6	586076	<p>Nut for box spanner 19 Hülseknuss 19</p> <p>galvanised</p> 	0.16	580598	<p>For details of formwork beams, sheets, ties and multi-trip transport containers, please see the respective sections of the catalogue.</p>		
			<p>Box nut 13 Steckknuss 13</p> <p>galvanised</p> 	0.06	580576			
			<p>Doka formwork beam H 20 P 1.95 m DF Doka formwork beam H 20 P 2.45 m DF Doka-Schalungsträger H 20 P DF</p> <p>scumbled yellow</p>	10.0 12.5	189927 189926			
<p>Handrail post T 1.80 m Einschubgeländer T 1,80 m</p> <p>galvanised</p> 	17.7	584373	<p>perm. moment = 5 kNm perm. transverse force = 11 kN as per approval by Institute of Building Technology, Berlin Values applicable only when formwork beams are upright. Permissible shearing forces are lower by several orders of magnitude if formwork beams are horizontal.</p>					
			<p>Doka stacking pallet Doka-Stapelpalette</p> <p>galvanised length 154 cm, width 83 cm, height 77 cm</p> <p>perm. load: 1100 kg (11 kN) N.B.: Follow the directions in the instruction manual!</p> <p>CE</p> 	42.0	586151			
<p>Handrail clamp S Schutzgeländerzwinge S</p> <p>galvanised height min. 123 cm, max. 171 cm</p>  	11.4	580470						
<p>Strip steel tensioner 5.00 m for formwork assembly Bandzwinge 5,00 m</p> <p>galvanised</p> 	2.0	580393						