

# DOKAFLEX RETURN LIST

Company \_\_\_\_\_

Return Date \_\_\_\_\_

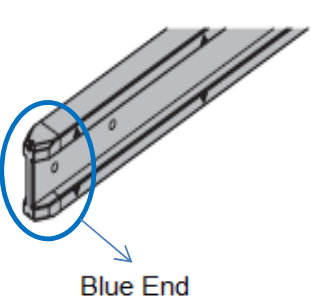
Project Name \_\_\_\_\_

Print Name \_\_\_\_\_

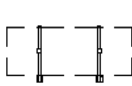
Final Return Yes/No (circle one)

Signature \_\_\_\_\_

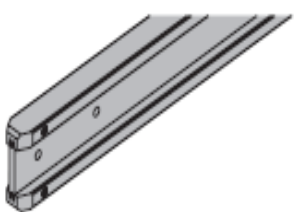
**Doka beams H20 top P**



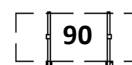
	Bundle Qty	
1.80m	90	
2.45m	90	
2.65m	90	
2.90m	90	
3.30m	90	
11'-6"	90	
3.60m	90	
3.90m	90	
4.50m	90	
16'-0"	90	
5.90m	<b>60</b>	




**Doka beams H20 N**



1.80m	
2.45m	
2.65m	
2.90m	
3.30m	
11'-6"	
3.60m	
3.90m	
4.50m	




**Doka floor props Eurex**

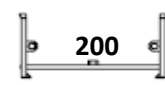


30/250			
30/300		40	
30/350		30	
30/400			
20/550			


**10kip Crossbraces**



	3/4'
4W	
5W	
6W	
7W	
8W	
10W	




**Removable folding tripod**

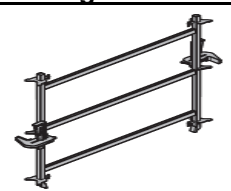


Height: 3'-3"

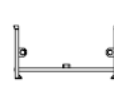
nr: 586155000



**Bracing frame 4'-0"**

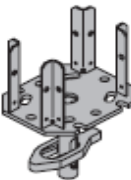


nr: 581640000



**Lowering head H20**

Length: 10"  
Width: 8"  
Height: 1'-3"

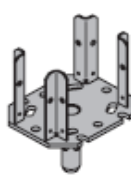


40

nr: 586174000

**4-way head H20**

Length: 10"  
Width: 8"  
Height: 1'-1"




40

nr: 586170000

**Spring locked connection pin 16mm**

Length: 6"

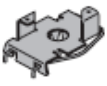


40

nr: 582528000

**Supporting head H20 DF**

Length: 7 1/2"  
Width: 4 1/2"  
Height: 3 1/4"

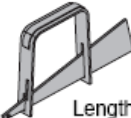


350

nr: 586179000

**Bracing clamp B**


Length: 1'-2"



150

nr: 586195000

**Lashing strap 5.00m**




40

nr: 586018000

**Lifting hook DF**

Length: 1'-5"  
Width: 8"  
Height: 1'-2"




40

nr: 586077000

**Wheel-around scaffold DF**

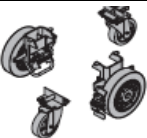
Length: 6'-5"  
Width: 2'-7"  
Height: 9'-6"



40

nr: 586157000

**Bolt-on castor set B**



40

nr: 586168000

**Alu beam fork H20**

Length: 5'-9"




40

nr: 586182000

**Handrail clamp S**

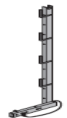
Height: 4' - 5'-7"



40

nr: 580470000

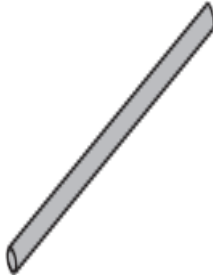
**Handrail post T 1.80m**



20

nr: 584373000

**Scaffolding tube**




140

	1 1/2"
6'-0"	
8'-0"	
10'-6"	
13'-0"	
15'-0"	
21'-0"	

**Screw-on coupler 48mm 50**


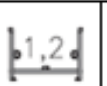

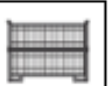
Width-across: 22 mm



1000

nr: 682002000

**Packaging - Must Be Counted!**

			
Qty.			

Item	Description	Qty.