

LIMITED  
TIME

Special offer\*

# Framax stripping corner I

## Easy, fast forming of shafts

### Super-short forming-times

by exploiting an innovative principle

- cuts forming-times by as much as 75 %
- saves crane time by lifting the formwork in one piece
- any panel, of any width, can be used between the stripping corners
- better concrete appearance inside the shaft, as there is now no need for extra formwork stripping elements in the middle of the wall

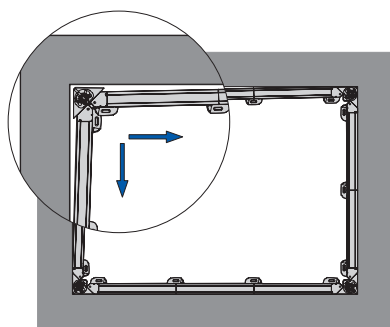
### Easy to handle

simply by turning a spindle

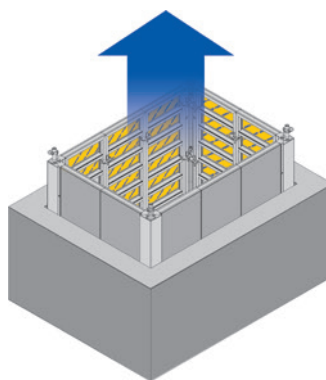
- set up and strip the formwork in a few simple steps
- is operated by just 1 person
- is operated from above without any special extra tools



Framax stripping corner 1 - simply quick



The formwork is detached very quickly, with a stripping play of 6 cm



The shaft formwork is lifted in one piece

\* Valid only until 30 April 2024. Subject to availability. Terms and conditions apply.

## Contact us for inquiries

**Doka Australia New South Wales** | Doka Formwork Australia Pty. Ltd. | 52 Airds Road | Minto NSW 2566 | Australia | T +61 2 8796 0500 | australia@doka.com

**Doka Australia Queensland** | Doka Formwork Australia Pty. Ltd. | Unit 1, 30 Pritchard Street | Lytton 4178 QLD | Australia | T +61 4 595 877 70 | australia@doka.com

**Doka Australia Victoria** | Doka Formwork Australia Pty. Ltd. | 75-135 Maygar Blvd, Melbourne VIC 3047 | Australia | T + 61 432 776 268 | australia@doka.com