

CLIMBING FORMWORK MF RETURN LIST

Company _____

Return Date _____

Project Name _____

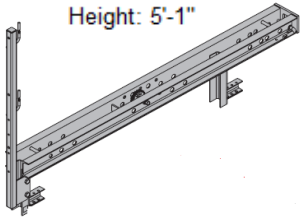
Print Name _____

Final Return Yes/No (circle one)

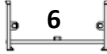
Signature _____

Horizontal profile MF w/handrail post

Length: 8'-3"
Height: 5'-1"

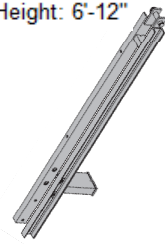


nr: 580651000

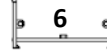


Vertical profile MF80

Height: 6'-12"

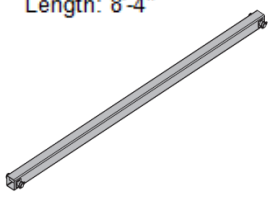


nr: 580652000

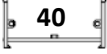


Pressure strut MF long

Length: 8'-4"

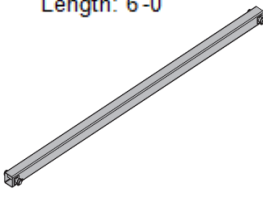


nr: 580653000

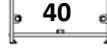


Pressure strut MF short

Length: 6'-0"

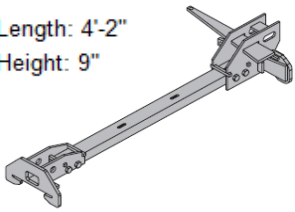


nr: 580654000




Traveling gear MF

Length: 4'-2"
Height: 9"

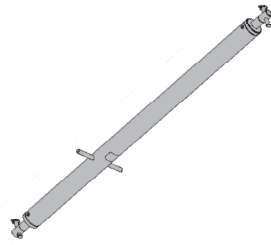



nr: 580656000



Plumbing spindle MF

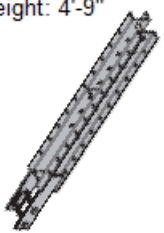
9'-10"	
14'-9"	






Vertical waling extension MF

Height: 4'-9"




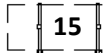
nr: 580659000



Vertical waling FM

9'-10"	
14'-9"	





Vertical profile MF160

Height: 6'-10"



nr: 580660000

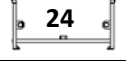


Pressure spindle MF240

Height: 5'-5"



nr: 580680000

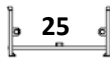


Suspension profile MF

Height: 12'-7/8"



nr: 580668000



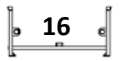
Screw-on access bracket MF75

Length: 3'-8"

Height: 4'-12"

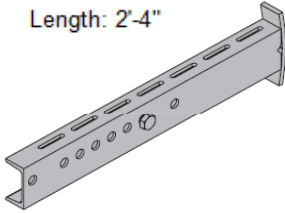


nr: 580669000



Distance profile MF

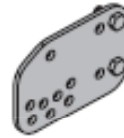
Length: 2'-4"



nr: 580670000



Swivel plate MF



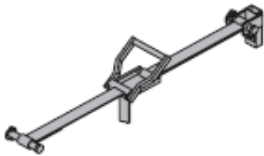
Length: 11"
Height: 8"



nr: 580672000



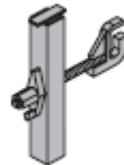
Wind bracing MF 6.00m



nr: 580677000



Waling-to-bracket holder



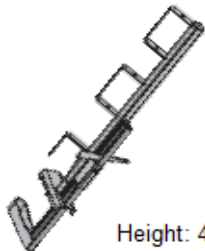
Length: 10"
Height: 1"



nr: 580526000



Handrail clamp S



Height: 4'-1"



nr: 580470000



Scaffold tube connection



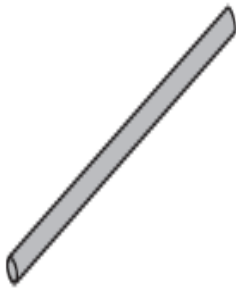
Height: 3"



nr: 584375000



Scaffold tubes



	1 1/2"
6'-0"	
8'-0"	
10'-6"	
13'-0"	
15'-0"	
21'-0"	



Swivel coupler 48mm

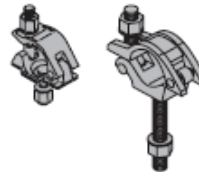


nr: 582560000

Width-across: 7/8"

500

Screw-on coupler

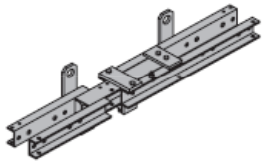


	48mm
50	
90	

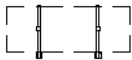
Width-across: 7/8"

500

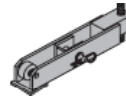
Telescopic shaft beams



1.45-1.65m	
1.65-2.00m	
2.00-2.70m	
2.70-3.80m	
3.80-5.90m	



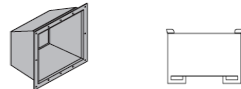
Pawl for shaft platform



40

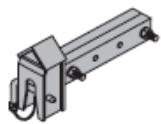
nr: 580466000

Box for latch 20x20x15cm



nr: 580608000

Main beam head



Length: 1'-7"

40

nr: 580464000

Ratchet MF 3/4"



40

nr: 580679000

Packaging - Must Be Counted!

Qty.				

