

06/2010 en-GB

Build on formwork expertise

Safety with Doka

For maximum workflow efficiency



www.doka.com

doka
The Formwork Experts



Brochure, 2010 edition

© Copyright by Doka Industrie GmbH
A 3300 Amstetten, Austria

We reserve the right to make alterations in the interests of technical progress.

Important notice

Always observe all industrial safety regulations and other safety rules applying to the application and utilisation of our products in the country and/or region in which you are operating. The illustrations and site photos in this brochure sometimes show the situation during formwork assembly and/or in situations outside Doka's direct control. For this reason, they may not always be complete from the safety point of view. It could be dangerous to combine our formwork equipment with other manufacturers'. If you intend to combine different systems, please contact Doka for advice first.



Contents

Let optimum safety boost your productivity	Page 4
Doka Services	Page 6
Doka Safety Systems	Page 14
Workplace	Page 18
Access systems	Page 28
Side protection	Page 32
Handling and repositioning	Page 37
Certificates, Standards, quality marks	Page 42
Doka Organisation	Page 44

Let optimum safety boost your productivity

Safety on the site is a very great responsibility for all those involved. As well as reducing accident risk, a professional approach to safety delivers a number of other significant benefits which pay off for your company in terms of higher efficiency due to faster workflows, legal certainty, the motivational boost given to employees, and thus in an overall enhancement of your corporate image.



Right from the earliest phase in the development of any Doka formwork system, great emphasis is placed on safety, ease of handling and ergonomic design. Our formwork and safety systems and our extensive range of top-quality accessories together ensure superlative safety in all forming operations.

For us, durability and quality come naturally – for you, this means high-grade, efficient and ergonomically engineered formwork systems, whether you buy or whether you rent. The Doka distribution network makes sure that excellent care is taken of your project – anywhere in the world.

The planning expertise, quality and on-time delivery for which Doka is renowned all make for troublefree safety in day-to-day site operations – so that you can concentrate on the construction job in hand.

Enhance the efficiency and profitability of your jobsites with the superior safety that comes from deploying Doka Safety Systems.

Materials to help you use Doka formwork systems correctly

Doka's documentation is convenient, easy to read, and practical. As well as showing you the right way to operate the formwork, it also covers the whole sequence of operations, all the way from transport and handling to assembly, repositioning and stacking. Together with the equipment utilisation plans, it tells you all you need to know for a safe, effective jobsite.



User Information booklets

The Doka "Instructions for Assembly and Use" show you, in detail, the right way to set up and use the formwork. The User Information booklet is an important tool to help you plan the safety equipment correctly.



Operating Instructions

On items subject to CE marking requirements, the Operating Instructions are supplied together with the product, in the language of the country concerned, and provide detailed information on using the product safely and on maintaining it.



Safety data sheets

The "Safety data sheets" contain data on the chemical composition of a product, as required by the latest regulations.



Installation Instructions

Installation Instructions provide helpful information on how to use the item in question, and are supplied along with the product.



The European Agency for Safety and Health at Work has presented Doka with its "Building in Safety" Good Practice Award.

Doka Services

Safety in every phase of the project





Doka Services

Safety in every phase of the project

Every project is unique. Nevertheless, there is one thing that all construction projects have in common – and that is a basic structure with five phases. Doka’s consulting, planning and ancillary services help you achieve effective implementation of your formwork assignment using our formwork products – in every one of these phases.



Project development phase

Tendering phase

Operations scheduling phase



Taking well-founded decisions

thanks to professional advice and consulting

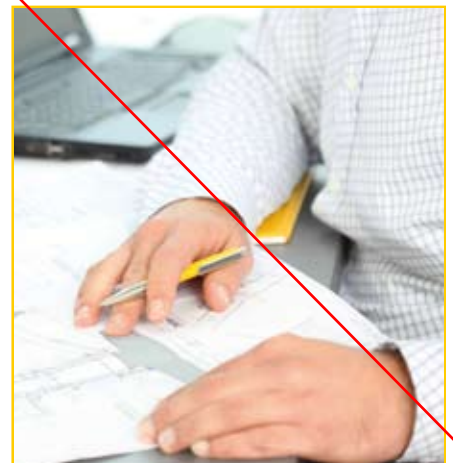
- Find the ideal safety equipment and precisely define safe overall parameters with the aid of
- help with the bid invitation
 - in-depth analysis of the initial situation
 - objective evaluation of the planning, execution, and time-risks



Optimising the preliminary work

with Doka as an experienced partner in all safety issues

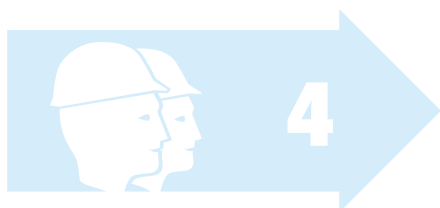
- Draw up winning bids that take full account of the safety requirements, by
- basing them on realistic guideline prices
 - making the right choice of formwork system
 - having the right time and cost-calculation basis



Controlled, regular forming operations, for greater safety

thanks to professionally planned formwork concepts

- Work “on the safe side” right from the outset, with
- detailed offers
 - determination of the commissioning quantities
 - co-ordination of lead-times and handover deadlines
 - full account being taken of safety requirements



Execution of (shell) construction work



Optimum resource utilisation

with assistance from the Doka Formwork Experts

Full efficiency, and greater safety, from

- thorough utilisation planning
- experienced project technicians
- appropriate transport logistics
- on-site support



Completion of (shell) construction



Seeing things through to a positive conclusion

with professional support

Doka Services help you enjoy no-risk project completion, by offering

- jointly handled return of rented formwork
- professional dismantling
- the right stacking aids
- efficient cleaning and reconditioning using special equipment

The optimum solution for your safety

“Spot-on” goal-fulfilment

Professional advice, consulting and project oversight by Doka Formwork Experts in the field of safety requirements lead to satisfied clients, safety officers, authorities and contractors.

Cost savings and time gains

Selecting the right formwork and safety systems, and using them according to plan, is the foundation for business success.

Maximised workplace safety

The advice and support we give you in how to use the equipment properly leads to greater safety on the job, reducing the accident risk and ensuring legally compliant working conditions.

Transparency

Because our services and costs are completely transparent, there is no need for improvisation during the project – and no unpleasant surprises at the end of it.

A selection of Doka's services is presented on the following pages. Your Doka adviser will be pleased to give you comprehensive information on all the services that Doka offers.



Information means safety

Doka's broad range of information offerings will give you an overview of all the many possibilities of the product and service portfolio, and of reference projects covering all fields of formwork engineering. You'll receive information on how to integrate safety products in accordance with the applicable regulations, as well as in-depth information on using Doka formwork systems in practice.



Project support

With its tailor-made advisory services, Doka can help you to optimise your workflows in every phase of your project – to make it both safer and more efficient. Doka project support comprises:

- detailed identification of customer requirements, and especially of the safety requirements throughout the entire construction sequence
- advice and consulting on all business, technical and logistical issues regarding the formwork operations



Formwork co-ordination

Doka will facilitate your project and assist your formwork crew in an advisory capacity, even for prolonged periods. Workplace safety is of course a N° 1 issue here.



Doka safety seminars

At the Doka Professional safety seminars, you will receive expert information and background knowledge on the topic of safety, taking in everything from the basic legal framework to the safety details of Doka products. Doka naturally has comprehensive continuing training offerings covering all fields of formwork technology, for safety is relevant to all systems and solutions.

More profitability and certainty from better knowledge

- Accurate documentation and properly trained staff give you greater peace of mind
- Peace of mind from knowing that your planning is based on up-to-date information and tried-and-tested systems
- You benefit from our state-of-the-art technical knowledge
- The success that comes from working with capable partners



Project development phase



Selecting the formwork system

The choice of formwork solution has a crucial influence on crew safety as well as on the profitability of your project. On the basis of the requirements, a detailed formwork concept is drawn up. Compliance with the required deadlines, quality, costs and safety takes top priority here.



Doka Engineering

Benefit from the high capability of the Doka Formwork Experts right from the very beginning of your project. Their technical preparations communicate all of the knowledge needed for a successful project, and include technical support such as quantity surveys or calculations to determine the commissioning quantities.



Tender drawings and project structural analysis

The Doka formwork concept, complete with details of the underlying assumptions and stipulated boundary conditions, is presented in tender drawings – as the basis for your planning! It goes without saying that every formwork solution that we plan undergoes static analysis to ensure its stability and fitness for purpose. And user safety is given equally great emphasis, of course.



Presentation of the formwork concept

Doka specialists provide detailed explanations of our bid, with an in-depth presentation of the services that it includes and of the underlying safety concept. This precise and accurate information saves you valuable time.

Profit from thorough, accurate planning

- Accurate, detailed planning provides certainty regarding costings
- Enjoy the certainty of high equipment availability and flexible materials-scheduling
- Safety from using tested high-grade formwork equipment
- Time-savings due to the co-ordinated, transparent workflows
- Time-savings due to the optimised logistics concepts for the site

Tendering phase –
Operations scheduling phase





Utilisation plans

Thorough, accurate planning is the basis for fast, safe forming operations. Doka planning is carried out on an engineering basis in accordance with the applicable Standards and rules. To simplify implementation, Doka can draw up bills of materials which will give you a good overview of all the products and services. If you wish, Doka experts will be pleased to draw up cycle plans for you, so that you can make optimised use of the required quantity of formwork, and also elevation plans showing the spacing of form-ties and the joint grid.



Verifiable statical calculations; certificates

For special projects, we can draw up a statical proof in documentary form for review by a civil engineer or test engineer. If you need Declarations of Conformity for any of our products, just ask – we'll be pleased to send you copies.



Ready-to-Use Service

Doka system formwork covers wide areas of formwork applications. Special factors or structural requirements often call for special measures, however. This is where the Doka "Ready-to-Use" Service comes in, "tailor-making" custom formwork units for you. Each such custom formwork is very precisely crafted to ensure accurate assembly on the site.



Formwork Instructors

The Doka Formwork Instructor is a specially trained and experienced practitioner who explains to your crew how to use the formwork effectively and safely. This starts with familiarising them with how to handle and operate the formwork, and can even include formal instruction leading to written certification.

Higher efficiency and profitability by getting the formwork-planning right

- Faster forming progress from precision planning and optimised formwork utilisation
- Site team's motivation boosted by working with safe, well-functioning formwork solutions
- Safety enhanced by detailed planning
- Image-boost for firms known for their tidy, safe jobsites



Execution of (shell) construction work



Dismantling by Ready-to-Use Service

Formwork units are dismantled in the Doka Ready-to-Use Service centres, client-owned equipment is sorted and any non-reusable formwork equipment can be disposed of properly on request. In this way, you can concentrate fully on your own core competences.



Reconditioning Service

Doka rental formwork and client-owned Doka equipment is cleaned and overhauled here, to Doka quality standards, by the Doka Reconditioning Service. This lengthens its service life and ensures that it is just as safe and reliable on the next formwork assignment, too.



Cleaning & Reconditioning Plus

In the "Cleaning & Reconditioning Plus" service, accumulated dirt is removed from the Doka formwork, and any repairs needed on the Doka formwork components are carried out. Your Doka branch will be pleased to inform and advise you!



Final review meeting

Doka joins with the client to analyse the finished project with regard to its technical planning and execution, the project realisation and the "bottom-line" of the project in terms of pricing, equipment commissioning quantities, logistics and the quality of the processes. This helps both parties to locate any optimisation potential for future projects.

You benefit

on completion of (shell) construction, too

- Puts you on an upward success curve, as we jointly locate optimisation potential for future projects
- No worries, thanks to our fair, transparent procedures
- Our professional disassembly service reduces close-out costs
- Shorter rental duration, which cuts your costs
- Outsourcing the cleaning work saves you time and resources



Completion of (shell) construction

Doka Safety Systems

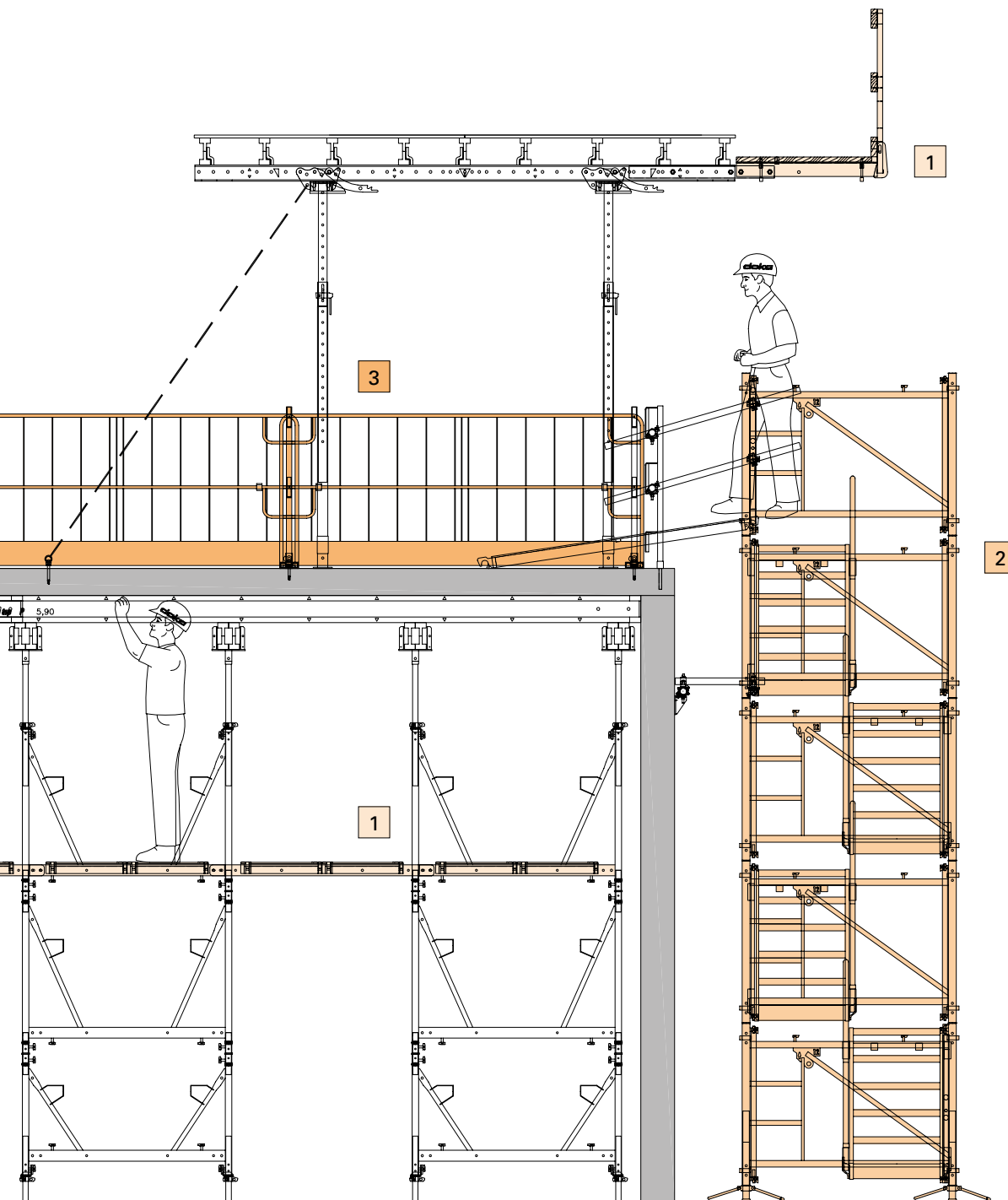
Dependable safety for your site







1	Workplace	Page 18
2	Access systems	Page 28
3	Side protection	Page 32
4	Handling and repositioning	Page 37





Workplace

To create a safe workplace,

- it is necessary to have working platforms, incl. sideguards and opposing guard-rails, for pouring
- intermediate platforms incl. side railings are the safest and most efficient solution on high wall formwork (when the crew need to manipulate form-ties, connecting devices, etc.)
- special care must be taken with column formwork, to provide safe vertical access to the pouring platform
- on floor-slab formwork the best protection against falls from the edge of the structure is by means of tableforms with pre-mounted sideguards



Dokaset

The wall formwork system with built-in safety

Dokaset is a fast, cost-saving wall formwork system for the building construction segment. All operations such as attaching the lifting chain and placing the form-ties can be carried out very quickly and easily from ground level. Fully pre-mounted working platforms, the revolutionary Xlife formwork sheet and wide tie spacing are among the practical features that set this all-in-one system apart.

Superlative safety during forming and pouring
ensures fast working and safe worksite conditions

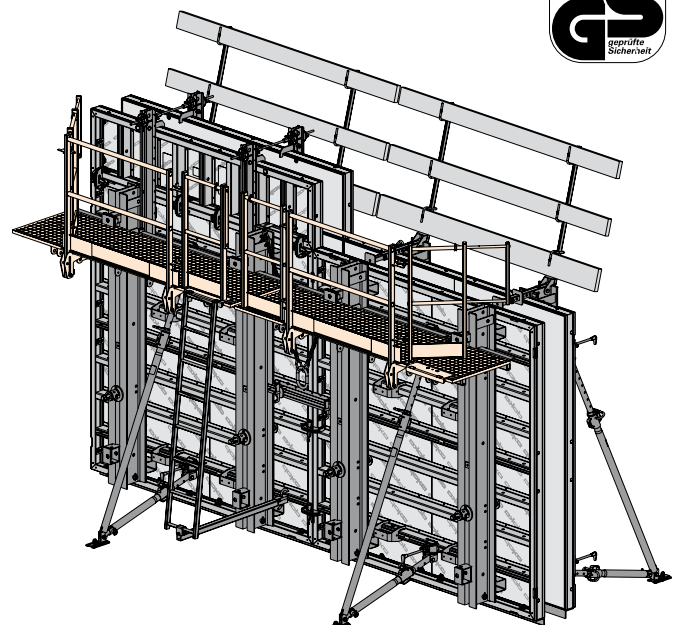
The fastest formwork system for walls
will speed up work at your site

Highly economical
as it is easy to operate and extremely durable

The ultimate in flexibility
for perfect adaptability to any on-site situation



Dokaset panel 2.70x2.70m with platform 588901000
Dokaset panel 1.35x2.70m with platform 588903000



For more information, please refer to the User Information booklet.

Platform system Xsafe plus

The fastest safety system for all wall formwork systems



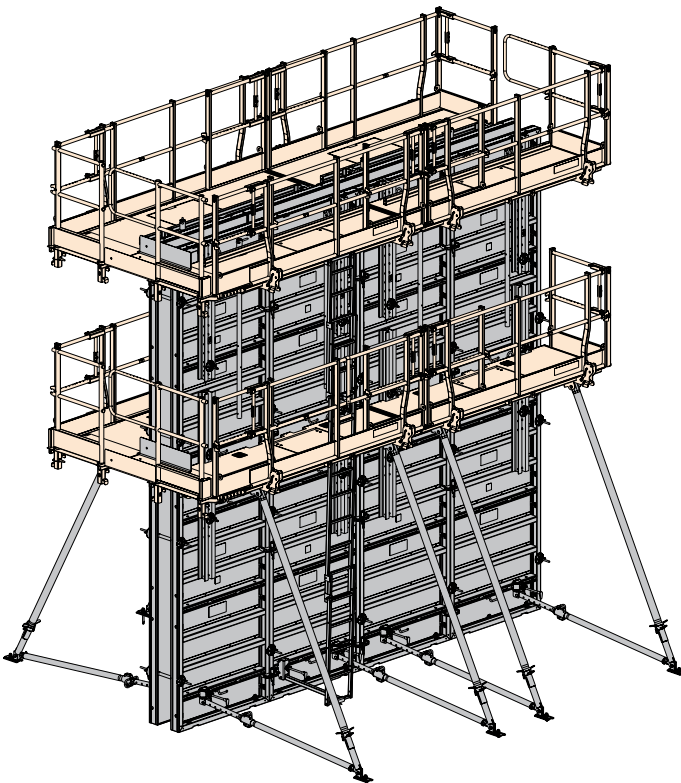
The pre-assembled, fold-out working platforms, with their integrable front/rear and side railings, ladders and self-closing manhole lids, are ready for immediate use and bring decisive improvements in workplace safety.

30 % faster to assemble and dismantle
as the platforms are pre-assembled and fold out quickly

40 % quicker to use
as the formwork and platforms are repositioned at the same time, in just one crane cycle

Easy to handle
as all connector components are integrated into the system

Safe working on all sides
ensured by optimised platforms, with self-closing manhole lids and easy-to-integrate sideguards



Xsafe plus platform 2.70m with side railing	586401000
Xsafe plus platform 2.50m with side railing	586402000
Xsafe plus platform 2.40m with side railing	586403000
Xsafe plus platform 2.70m	586404000
Xsafe plus platform 2.50m	586405000
Xsafe plus platform 2.40m	586406000
Xsafe plus platform 2.00m	586407000
Xsafe plus platform 1.35m	586408000
Xsafe plus platform 1.00m	586409000

Can be used on: Framed formwork Framax Xlife, Framed formwork Alu-Framax Xlife, Large-area formwork Top 50, Wall formwork FF20, Large-area formwork Top 100 tec, Wall formwork FF100 tec



For more information, please refer to the User Information booklet.



Pouring platform U

The ready-assembled, work-ready platform

The Pouring platform U is quickly readied for use and makes for easy, safe pouring.

Convenient, safe working

is ensured by this pre-assembled, foldable, quick-to-deploy platform with its generous width of 1.25 m

Safe boundary on the side facing the formwork

as the level of the floor planking is 30 cm below the top of the formwork

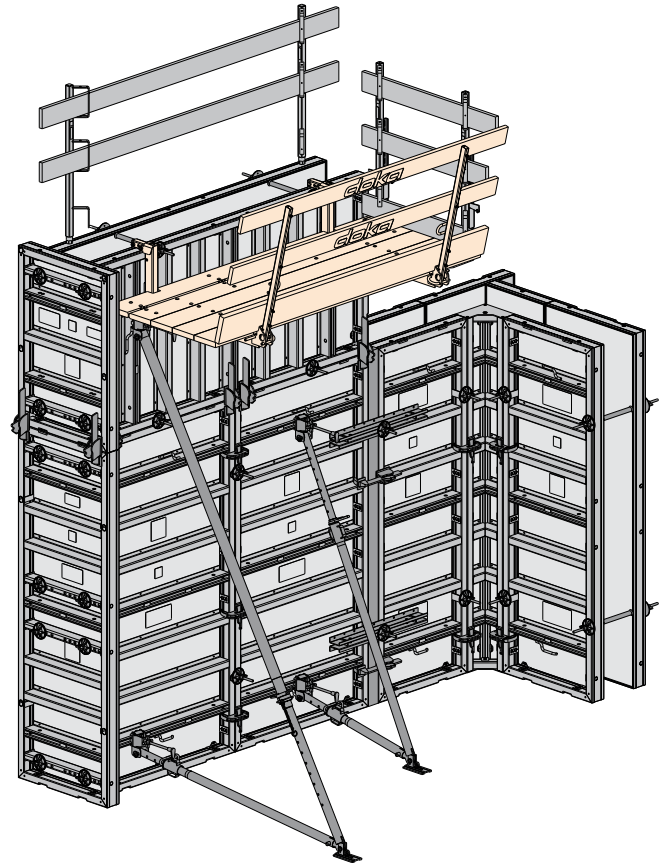
Railing is easy to lock in position

either in the vertical, or tilted by 15°



Framax pouring platform U 1.25/2.70m	588377000
Top 50 adapter for Framax pouring platform U*	588384000
FF20 adapter for Framax pouring platform U**	588381000

Can be used on: Framed formwork Framax Xlife, Framed formwork Alu-Framax Xlife, Large-area formwork Top 50*, Wall formwork FF20**, Large-area formwork Top 100 tec, Wall formwork FF100 tec



For more information, please refer to the User Information booklet.

Column formwork platforms

Pre-assembled, work-ready platforms for column formworks

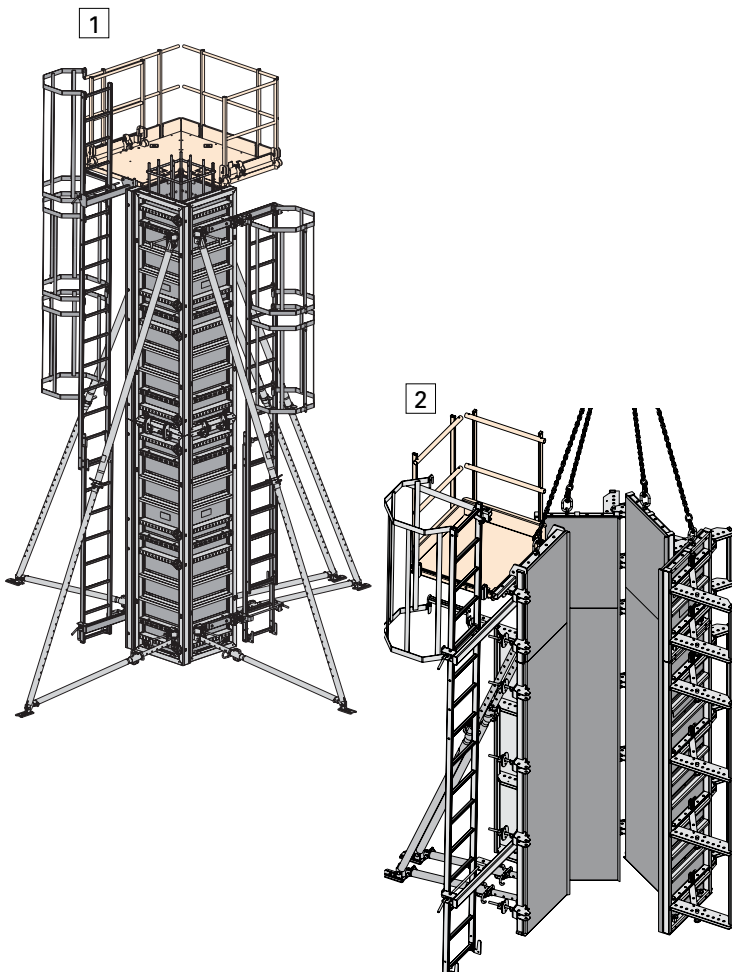


These platforms can be used on any column cross-section, are quick to assemble and can be shifted together with the formwork in one piece. This makes them the ideal safety solution for column formworks.

Top-level safety on column formwork with this pre-assembled, work-ready platform

Swivel-mounted side railings can be locked in place and provide a handy access gate (on Configuration 1 below)

Easy, fast crane-handling of the column formwork platform, using hoisting points recessed into the decking (on Configuration 1 below)



1) Doka column formwork platform 150/90cm 588382000

2) Platform planking KS* 580360000
 Railing KS 1.00x0.85m* 580363000
 Side railing KS 0.30m* 580364000

Can be used on: Framed formwork Framax Xlife, Framed formwork Alu-Framax Xlife, Column formwork KS Xlife*, Column formwork RS



For more information, please refer to the User Information booklet.



Dokamatic table platform

Unbeatably fast and safe at slab-edges

This quick-to-deploy table platform, with fold-down guard rails, is the optimum solution for uninterrupted safety on Dokamatic tables in edge zones.

Extremely high safety around slab-edges is ensured by the system-integrable table platform

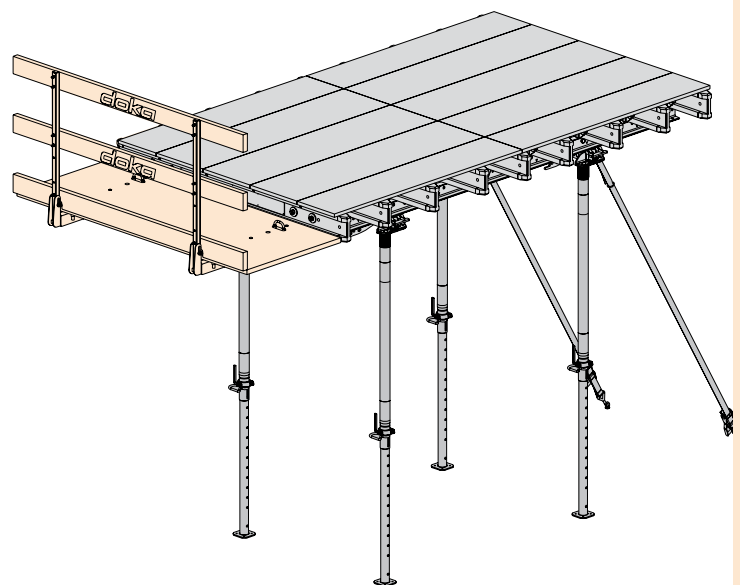
Save valuable time by repositioning the tableform and table platform as a single unit

Highly economical as there is no need for extra working and protection platforms on the building – and for the time-consuming erection work that this would require



Dokamatic table platform 1.00/2.00m	586218000
Dokamatic table platform 1.00/2.50m	586217000
Dokamatic platform extension 0.50/2.00m	586220000
Dokamatic platform extension 0.50/2.50m	586219000
Dokamatic platform profile 1.00m	586221000

Can be used on: Dokamatic table



For more information, please refer to the User Information booklet.

Scaffold planking units

For safe towerframe assembly and safe working inside the tower



Scaffold planking units from Doka are light in weight and can quickly and easily be fitted to load-bearing tower frames.

High safety

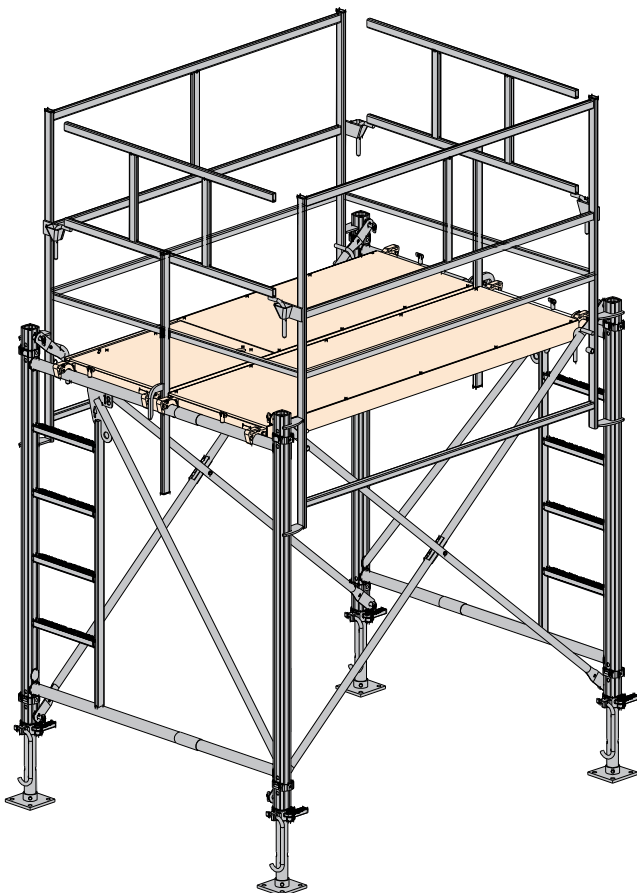
as the planking units used while erecting and dismantling the load-bearing towers and superstructure already provide a safe workplace in themselves

Excellent workplace ergonomics

thanks to lightweight aluminium planking units with or without a manhole opening

Integral anti-liftout guard

makes it possible to fit the planking units even when the towers are pre-assembled in the horizontal



Scaffold planking 60/60cm	582330500
Scaffold planking 60/100cm	582306500
Scaffold planking 60/150cm	582307500
Scaffold planking 60/175cm	582332500
Scaffold planking 60/200cm	582308500
Scaffold planking 60/250cm	582309500
Scaffold planking 60/300cm	582310500

Scaffold planking 60/100cm with manhole	582311500
Scaffold planking 60/150cm with manhole	582312500
Scaffold planking 60/175cm with manhole	582333500
Scaffold planking 60/200cm with manhole	582313500
Scaffold planking 60/250cm with manhole	582314500
Scaffold planking 60/300cm with manhole	582315500

Can be used on: Load-bearing tower Staxo 40, Load-bearing tower Staxo 100



For more information, please refer to the User Information booklet.



Staxo 40 planking strut and bracket

For operating towerframe superstructures safely

Having these safe, simple intermediate levels greatly speeds up the job of erecting and dismantling the towerframe superstructure.

Greater speed

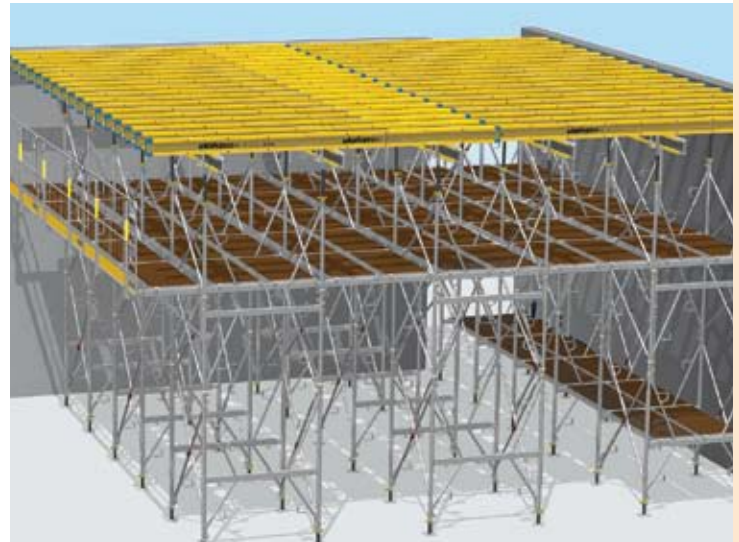
because the superstructure can be erected and dismantled in great safety, with the crew standing at an ergonomically optimum height beneath it

Readily upgradeable

with the Sideguard system XP

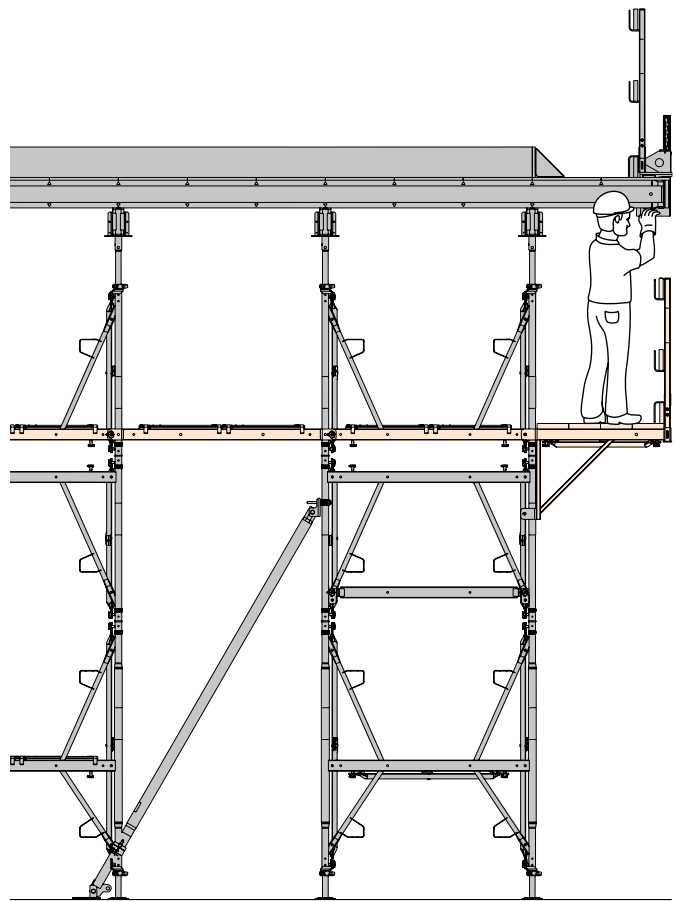
Safe tower-to-tower walkways

the planking strut makes it possible to extend the floor planking level across to adjacent towers



Staxo 40 planking strut 1.00m	582215000
Staxo 40 planking strut 1.50m	582216000
Staxo 40 planking strut 2.00m	582217000
Staxo 40 bracket 90cm	582212000

Can be used on: Load-bearing tower Staxo 40



For more information, please refer to the User Information booklet.

Bracket platform M

Tested safety in masonry and pre-cast construction



The Bracket platform M is a site-ready, lightweight working and protection platform that gives a big boost to safety in the field of masonry and pre-cast construction. The winner of an EU award, the Bracket platform M complies with both EN 12811-1 (for use as a working platform), and DIN 4420 (for use as a protection platform).

Tested safety

for reliable protection and high load-bearing capacity (max. 300 kg/m²), yet low dead weight

Fast, safe working

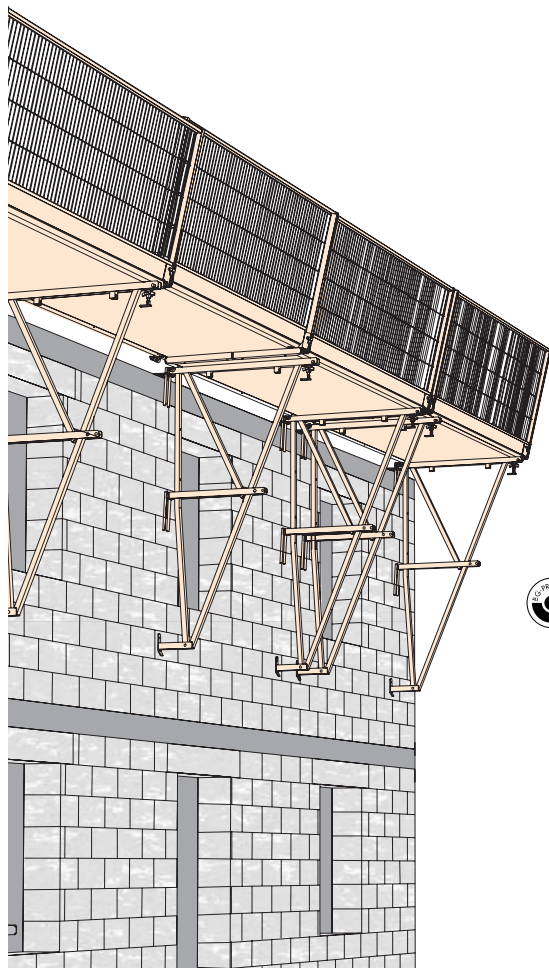
thanks to the use of pre-assembled units built from a small number of rugged system components, that are ready for immediate use after a very few quick and easy actions

Versatility

Thanks to its standardised system solutions, it can be used as either a working platform, a protection platform or a sloping-rooftop fall barrier

Highly cost-efficient

Long lifespan; takes up very little storage and transport space



Platform bracket M	580547000
Platform decking M 3.00m	580548000
Corner transition M 1.80m	580556000
Corner platform decking M	580550000



For more information, please refer to the User Information booklet.



Folding platform K

The pre-assembled scaffold platform for concrete construction sites

Doka folding platforms K are pre-assembled, work-ready scaffold platforms made up of standardised system components. They can be used both as EN 12811-1 compliant working platforms and as DIN 4420 compliant protection platforms.

Tested safety

for dependable protection, with extremely high load capacity (max. 600 kg/m²) and a level, 1.80 m wide platform deck

Rapid working

as the pre-assembled units are easy to handle and are ready for use immediately, after a very few quick and easy actions

Versatility

as they can be used as working platforms, protection platforms, sloping-rooftop fall barriers or protective canopies

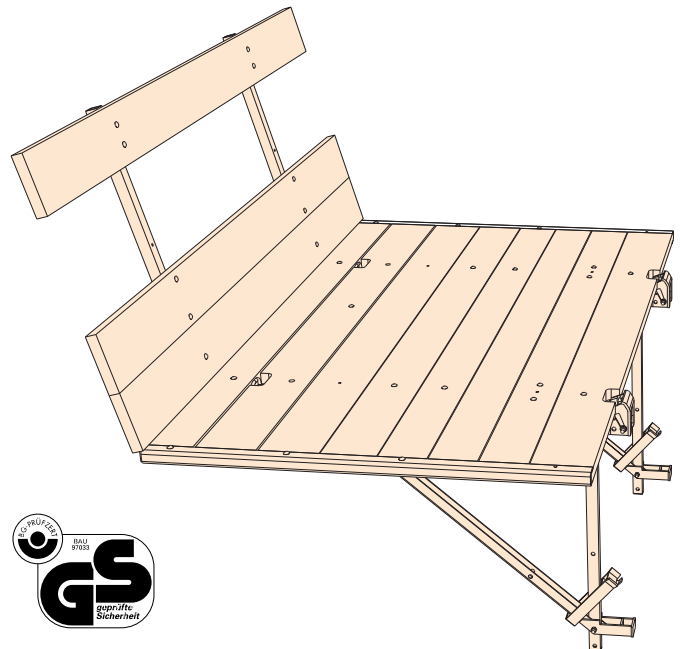
Outstanding cost-efficiency

The system's long lifespan and compact storage and transport-space requirements save time and money



Doka folding platform K 3.00m
 Doka folding platform K 4.50m
 Doka corner folding platform A
 Closure platform 3.00m
 Suspended platform 120 3.30m

580442000
 580443000
 580473000
 580485000
 580411000



For more information, please refer to the User Information booklet.



Access systems

It has to be possible to get to the workplace using safe horizontal and vertical access routes. The best solution here is ladder systems designed as an integral part of the overall system.

Safe vertical access systems, with integral ladder cages, are available for all Doka wall and column formworks. These provide a ladder that is always in the right place, ensuring that vertical access to the pouring platform or intermediate platform on high wall formwork meets all the safety requirements. Doka column formworks are all designed so that they can be entirely pre-assembled on the ground, complete with all safety accessories, and then lifted into the upright as a unit – providing full safety right from the outset.

Especially for setting up and striking floor-slab formwork, it is a good idea to use the Wheel-around scaffold DF or Mobile scaffold tower Z. These make it easy to operate the formwork from below. As a safe “up-and-down route” between storeys, the Doka stair tower is the ideal solution.



Stair tower

The safe, fast way to get up and down

The stair tower can be put together very quickly from frames and pre-assembled stairway elements. Intermediate exits permit safe access to all work-deck levels. The stair tower is anchored to the structure as required by the usage situation.

Highly cost-efficient

thanks to its ergonomic constructional design, and because it lets crew get up and down with much less physical effort than on ladders

Versatile

can be used with components from either the Staxo load-bearing tower 100, Staxo load-bearing tower or Load-bearing tower d2 systems

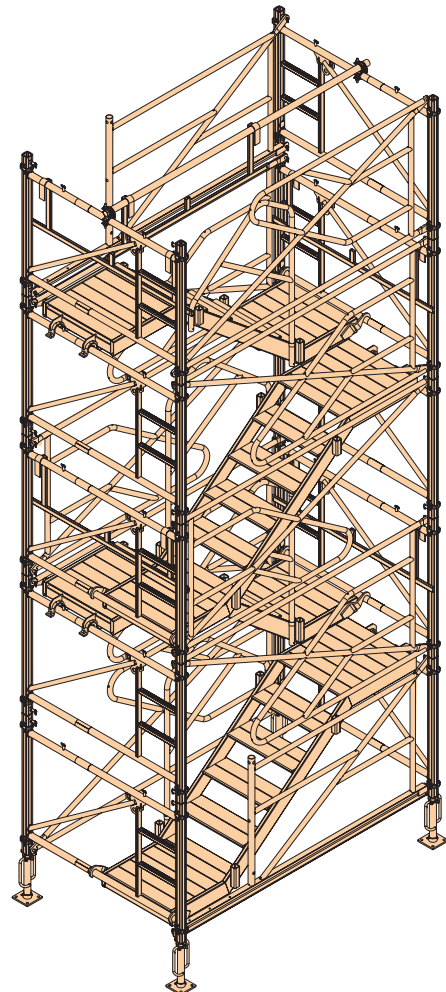
Convenient and easy to erect

thanks to its simple set-up procedure with only a very few separate components



Alu stair bracket 250
Access support 250
Outer railing 250
Inner railing 250
Access railing 250

582670000
582674000
582672000
582671000
582675000



For more information, please refer to the User Information booklet.

Ladder system XS

Safety on all up/down access routes



System-based ladderways with integral ladder cages can be attached to Doka wall and column formwork in a few simple steps. These safety accessories can be mounted to the formwork while this is still placed flat on the ground. This ensures complete safety, right from the word "go".

Superlative safety

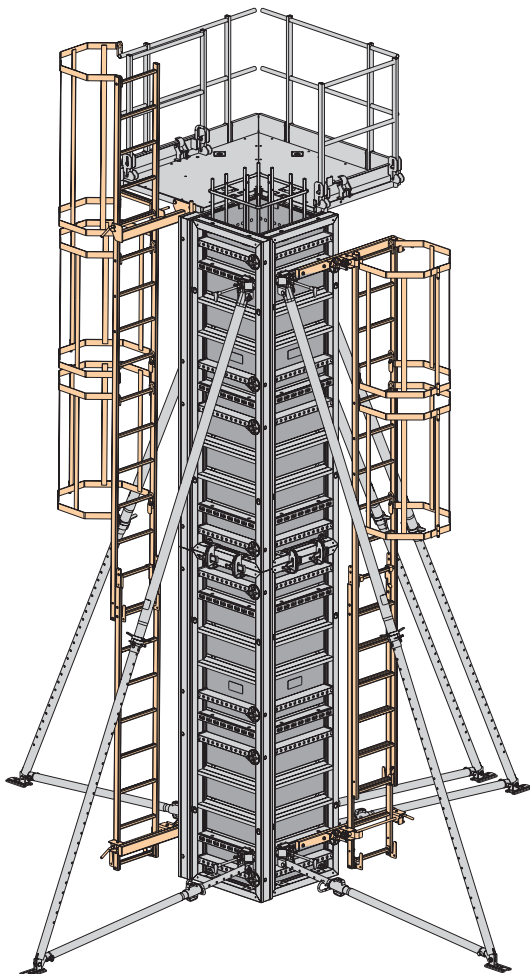
as the vertical access system and ladder cage are both integrated in one perfect system

Ensures smooth workflows

by providing safe, easy up/down access

Simple to deploy – anywhere

with only a small number of different system-based ladders that are compatible with many Doka formwork systems



XS connector for Framax/Alu-Framax	588639000
System ladder XS 4.40m	588640000
Ladder extension XS 2.30m	588641000
Ladder cage exit XS	588666000
Ladder cage XS 1.00m	588643000

Can be used on: Doka framed, timber-beam and column formwork systems, climbing systems and the Cantilever forming traveller (CFT)



For more information, please refer to the User Information booklet.



Wheel-around scaffold DF / Mobile scaffold tower Z

The ideal solution for stripping timber-beam and floor-slab formwork

The Wheel-around scaffold DF is ideal for stripping the formwork from floor-slabs above rooms of medium height. For greater heights than this, the Mobile scaffold tower Z is ideal.

Safe working

thanks to the all-round fall-arrest railings

High stability

permits safe working on the scaffold

Can be erected and dismantled very quickly

as there are only a few separate component parts, all of them light in weight

Dependable safety

in conformity with

- tests performed by TÜV Bavaria (Wheel-around scaffold DF)
- the applicable safety regulations to EN 12811-1 (Mobile scaffold tower Z)

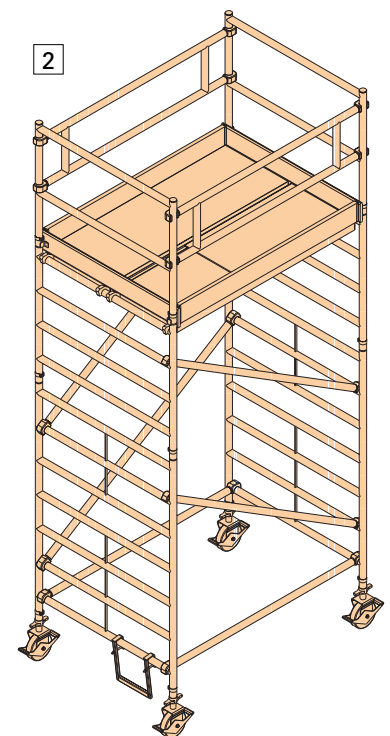
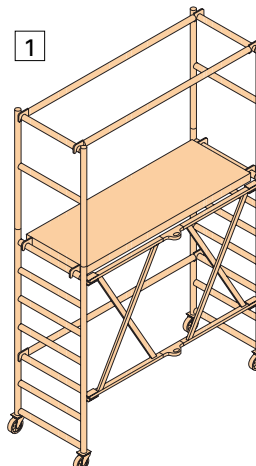


1) Wheel-around scaffold

586157000

2) Doka mobile scaffold tower Z

Attachable frame Z 1.00m	586016000
Attachable frame Z 2.00m	586017000
Railing frame Z 1.00m	586021000
Handrail post Z 1.80m	586022000
Platform Z with manhole flap 1.80m	586023000
Platform Z without manhole flap 1.80m	586024000
End toe-board Z 1.35m	586025000
Side toe-board Z 1.80m	586026000
Diagonal brace Z 2.00m	586027000
Horizontal brace Z 1.80m	586028000
Guide roller Z D200mm	586030000
Step-up rung Z	586031000



For more information, please refer to the User Information booklet.



Side protection

Side protection is a 'must' on every site. Doka offers professional side protection for safeguarding work and forming-operations on the structure shell. These tried-and-tested systems give your site crew optimum protection and make a significant contribution to a smooth workflow. The sturdy, hot-dip galvanised products ensure dependable protection and comply with the latest safety standards (EN 13374).

Workers who are properly protected work safely, faster, and thus more efficiently.



Sideguard system XP

The fall-arrest system for all shell construction phases

This system is the universal safety solution for all edge protection needs. It fits in ideally with Doka systems – be they wall formwork, floor-slab formwork, systems for safeguarding slab-edges or fall-arrest barriers on the structure shell.

Rentable all-in-one system for fall protection on both formwork and structure shell

Multi-functional

with only one type of upright for all types of sideguards

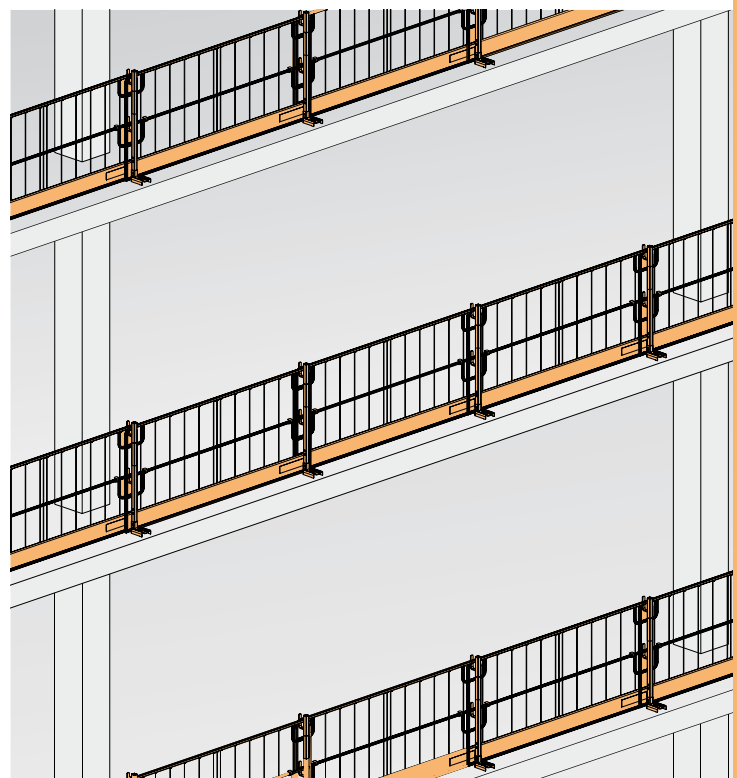
Revolutionary bottom-fixed height extenders for the uprights

Grating heights of up to 1.80 m are possible with 20 % fewer uprights

Quick and easy to erect

with easy-click function for higher productivity

Takes up 1/3 less storage and transport volume meaning more efficient site logistics



Handrail post XP 1.20m	586460000
Toeboard holder XP 1.20m	586461000
Handrail post XP 0.60m	586462000
Toeboard holder XP 0.60m	586463000
Railing clamp XP 40cm	586456000
Handrail-post shoe XP	586457000
Doka Express anchor 16x125mm	588631000
Doka coil 16mm	588633000
Screw-on shoe XP	586458000
Screw sleeve 20.0	584386000
Attachable sleeve 24mm	584385000
Step bracket XP	586459000
Bridge-deck clamp XP	586465000
Protective grating XP 2.70x1.20m	586450000
Scaffold tube holder D48mm	586464000



For more information, please refer to the User Information booklet.

Doka floor end-shutter clamp

The system solution for slab stop-ends



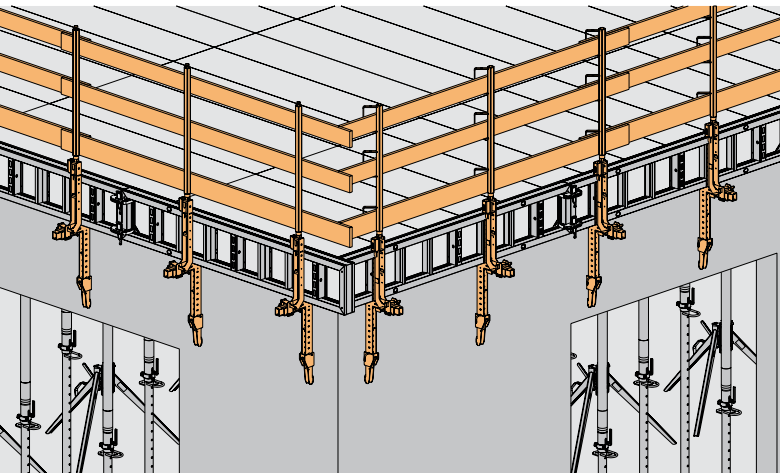
This quick and easy system solution for stop-ends now provides even greater safety at the edges of floor-slabs, and greater flexibility, with a choice of different attachment methods, types of stop-end and ways of safeguarding slab edges.

Just one system
for stop-ends and for safeguarding the slab-edges

Multi-functional
as it comes with three different fixing methods

Easy to handle
as the parts weigh less than 7 kg each

Safety that comes easily
as there are 3 different ways of safeguarding edges, with quick-mount fall-arrest railings



Floor end-shutter clamp
End-shutter shoe
End-shutter tie-rod 15.0 15-40cm

586239000
586257000
586258000



For more information, please refer to the
User Information booklet.



Handrail clamp S

Multi-functional

Wide clamping range

up to 45 cm, for mounting to floor-slab formwork, concrete floor-slabs or platforms

Quick and easy to erect

as it is clamped and fixed in place using a wedge

Maximum safety

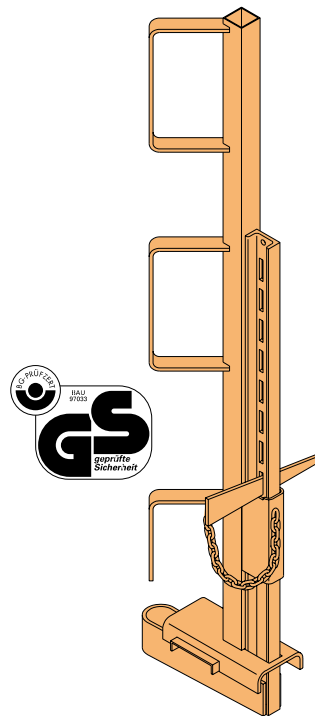
with liftout-proof guard-rail boards or bolted-on scaffold tubes

Handrail clamp S

580470000



For more information, please refer to the User Information booklet.



Handrail post 1.10m

Easy to fix in the concrete

Fast to set up

as the posts are simply plugged or screwed into place

Maximum safety

thanks to the anti-liftout feature for the guard-rail boards

Extra-long service life

thanks to the rugged build and hot-dip galvanised finish

Handrail post 1.10m

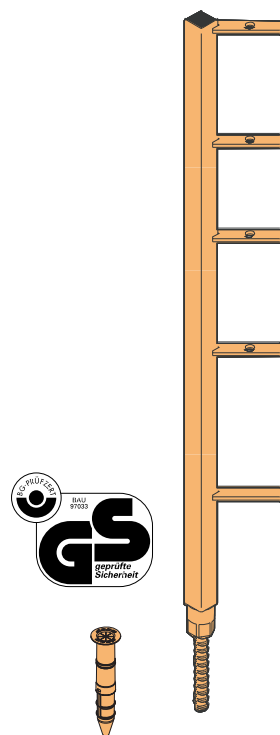
584384000

Screw sleeve 20.0

584386000



For more information, please refer to the User Information booklet.



Side protection with Facade formwork Top 50

Fast, safe finishing of pre-cast facades



The integrated fall-arrest barrier (scaffold tubes or netting) means that work can be carried out from the safety of the floor-slab

Highly economical

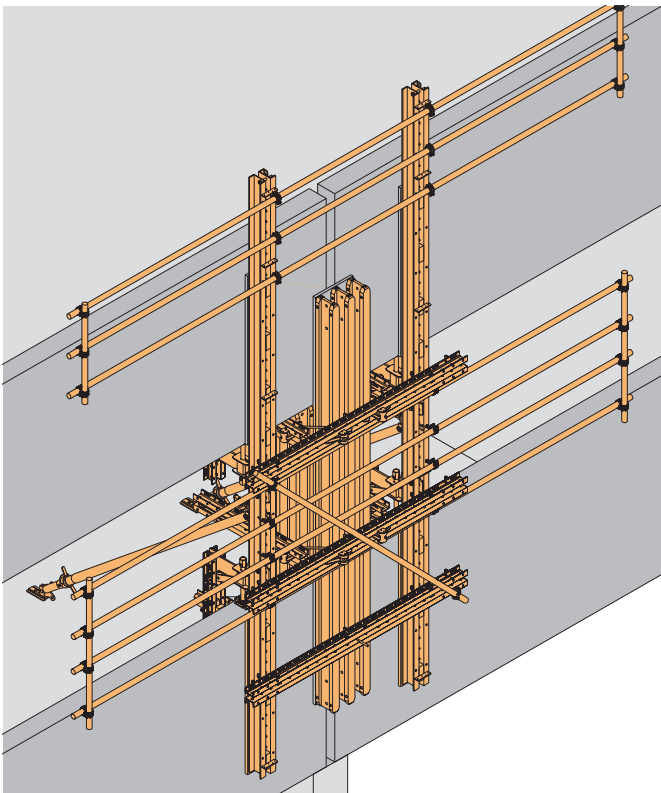
as no extra working and protection platforms are needed and the system mainly uses standard components of the Large-area formwork Top 50 system

High safety

with no need for extra working and protection platforms

Facade with integrated in-situ column

In this construction method, the Doka facade formwork is used to cast in-situ columns so as to embed the pre-cast parapet members



For more information, please refer to the User Information booklet.



Handling and repositioning

Offloading, assembling and moving formwork components on the site is a vitally important part of the work. These tasks not only influence the construction workflow but also have to be carried out safely – the most important factor of all when you consider that the items in question often have to be lifted across areas where other people are working. Professional shifting appliances avoid damaging the formwork equipment, speed up the lifting operation and ensure greater safety.

Here too, then: Safety pays!

Table Lifting System TLS

Vertical repositioning with no need for a crane



The Table Lifting System TLS sets a brand-new benchmark for craneless vertical repositioning of tableforms. It makes a major contribution towards optimising the site logistics, and is designed to provide the very highest workplace safety. The Table Lifting System TLS can be used on buildings of any height, making it possible to start repositioning tables right from the very first storey.

Craneless lifting, independent of wind conditions
for faster work at your site

Enhanced safety
as it is permanently anchored to the structure

Optimised deployment of site crew
with only 1 person needed per storey

Smooth operational sequences
with no idle time waiting for the crane

Yet more workflow acceleration and safety
with the self-climbing TLS

Basic unit TLS

586301000



For more information, please refer to the User Information booklet.



DoKart

The fast, manoeuvrable shifting appliance for the “rough-and-tumble” of work on the site

The new DoKart is a “high-performer” whose innovative design perfectly suits it for the rough-and-tumble of everyday work on the site.

Cuts labour costs
by 70 %, as it is 1-man operated

Extremely user-friendly
thanks to its great manoeuvrability, high lifting speed and large ground clearance

Powerful and safe
with large wheels for maximum safety against overturning, and a high lifting capacity of up to 2 tonnes

Rugged and reliable
with massive baseplate and durable, high-grade components

Takes up very little storage and transport space
as the DoKart is unbeatably compact

DoKart

586265000



For more information, please refer to the User Information booklet.

Multi-trip packaging

For improved logistics on the site



Multi-trip packaging items such as containers, stacking pallets and skeleton transport boxes keep everything neat and tidy on the site, minimise the time wasted searching for parts and streamline the storage and transport of system components, small items and accessories.

The right solution for every formwork component

- Stacking pallet: for floor props, tripods, formwork beams or formwork sheets
- Skeleton transport box: for lighter accessories such as lowering heads, supporting heads or super-plates
- Multi-trip transport box: for heavier accessories

Faster job preparation

achieved by well-ordered storage, and short search-times

Facilitates transport and handling, saves crane time

fitting the stacking pallets with bolt-on castor sets

Doka multi-trip transport box 1.20x0.80m	583011000
Doka stacking pallet 1.20x0.80m	583016000
Doka skeleton transport box 1.70x0.80m	583012000



For more information, please refer to the User Information booklet.

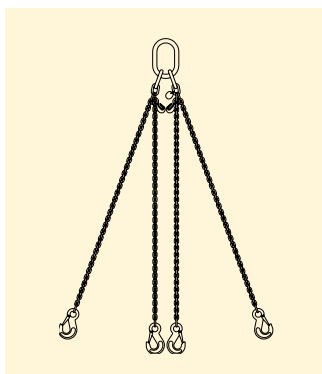


Slinging means

For safe on-site equipment handling

Doka 4-part chain 3.20m

The Doka 4-part chain 3.20m is a multi-functional slinging means. Its integrated eye-hooks can be used for hoisting formwork, platforms and multi-trip packaging containers. Used in combination with Framax transport bolts, it also makes it possible to hoist both stacks of panels and individual panels.



Doka 4-part chain 3.20m

588620000



Dokamatic lifting strap 13.00m

The Dokamatic lifting strap 13.00m can be used for hoisting tableform superstructures and ready-to-use tables. The 13 m long strap is designed so that the crew can easily and safely fix it and detach it when working from ground level.



Dokamatic lifting strap 13.00m

586231000



Transport fork DM 1.5t (adjustable)

The Transport fork DM 1.5t (adjustable), with a carrying capacity of 1500 kg, is supplied to the site folded closed. The 4 different fork-width adjustments give the fork the ideal fit for any table format and usage situation. A latch-type anti-slide-off guard enables the jib to be moved in under the table without hindrance, and then ensures complete safety while the table is being lifted.

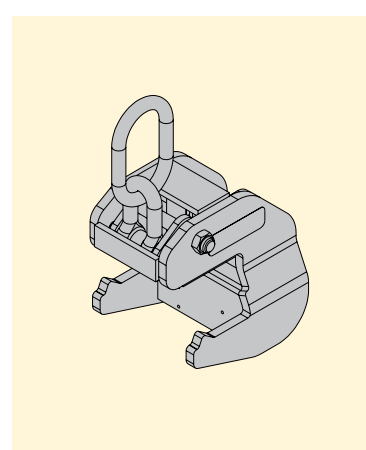


Transport fork DM 1.5t (adjustable)

586233000

Framax lifting hook

The lifting hook is attached to the gang above the panel joint and makes it possible for formwork gangs to be repositioned safely. Two lifting hooks must be used on each formwork unit.



Framax lifting hook

588438000

Framax lifting hook

588149000



Framax 3-in-1 pole tool

The Framax 3-in-1 pole tool lets the crew operate the lifting hook on formwork of up to 3.30 m in height, working from ground level. The 3-in-1 pole tool is also ideal for plumbing and aligning the formwork, and for pulling out double-headed nails.



Framax 3-in-1 pole tool

588678000

Fix-De-Fix 3150kg remote uncoupling system

This remote uncoupling system is used for hoisting and setting down loads in hard-to-get-at locations. With it, a crew member can safely release the slinging chains by radio remote control, without leaving the ground.



Fix-De-Fix 3150kg remote uncoupling system

586014000





Certificates, Standards, quality marks

Our active involvement in committees and industry associations ensures that you will always have the very latest standard of safety and will be working with Standards-compliant formwork systems – a big benefit to you on the site.

Worldwide commitment and capability

The fact that our Quality Management System is ISO 9001 certified is an indicator of more than just assured product quality, but also of the extensive measures taken throughout the Doka Group to clearly define all operating procedures.



CE Mark

The CE Mark may be conferred by the manufacturers themselves. A CE Mark is required wherever a product's design-type or mode of action entail hazards for users' life or health. The legal basis for the CE Mark is the EC "Machinery" Directive 89/392/EEC. This lays down the framework for country-specific Standards. A product bearing the CE Mark will thus conform to all applicable laws and Standards.

The Operating Instructions manual forms an integral part of any CE-Marked article. It must be enclosed with the consignment, and contains important information which must be followed (instructions on putting the unit into service and on how to operate it, maintenance instructions, details on wear-and-tear and final disposal, etc.). Failure to follow these instructions may have serious consequences for users' life and well-being. CE Marked products are subject to regular inspection. In this way, risks can be ruled out, and accident hazards avoided.



GS Mark

The "GS" in GS Mark stands for the German words meaning "tested safety". This safety mark is awarded by the employee safety organisation for the construction industry in Germany. The test procedure approximately corresponds to a type test. Before a GS Mark can be awarded, there must be an Operating Instructions manual (Instructions for Assembly and Use and/or User Information booklet), the contents of which are also examined along with the product itself. This means that users take delivery of a system that has been subjected to stringent testing – right down to the details in the instruction manual.



GSV safety mark

The GSV is an association of all the main formwork manufacturers that has been in existence since 1993. The object of the GSV is to lay down quality and performance criteria for framed formworks whose load-bearing capacity (formwork pressure) is stated with reference to the permitted deflection as defined by ÖN/DIN 18202. This ensures that the formwork can sustain the stated formwork pressure, and that used formwork complies with a specified minimum standard.



European Committee for Standardization
Comité Européen de Normalisation
Europäisches Komitee für Normung

European Committee for Standardisation CEN

The high-calibre Doka staff on this Committee share in shaping the relevant European Standards. This means that you can be confident of working with Standards-compliant formwork for a long time to come.



Doka Organisation

Group Headquarters

Doka GmbH
Josef Umdasch Platz 1
A-3300 Amstetten
Austria
Tel. +43 (0) 7472 605-0
Fax +43 (0) 7472 64430
E-Mail: info@doka.com
www.doka.com

Subsidiaries and representatives



Algeria	Iceland	Portugal
Austria	India	Qatar
Azerbaijan	Iran	Romania
Bahrain	Ireland	Russia
Belarus	Italy	Saudi Arabia
Belgium	Japan	Senegal
Brazil	Jordan	Serbia
Bulgaria	Kazakhstan	Singapore
Canada	Korea	Slovakia
Chile	Kuwait	Slovenia
China	Latvia	South Africa
Croatia	Lebanon	Spain
Czech Republic	Libya	Sweden
Denmark	Lithuania	Switzerland
Egypt	Luxembourg	Taiwan
Estonia	Mexico	Thailand
Finland	Morocco	Tunisia
France	Netherlands	Turkey
Germany	New Zealand	UAE
Great Britain	Norway	Ukraine
Greece	Oman	USA
Guatemala	Panama	Vietnam
Hungary	Poland	

