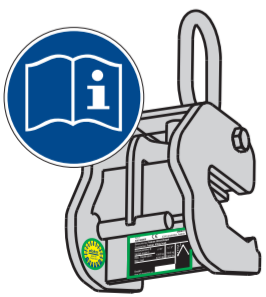
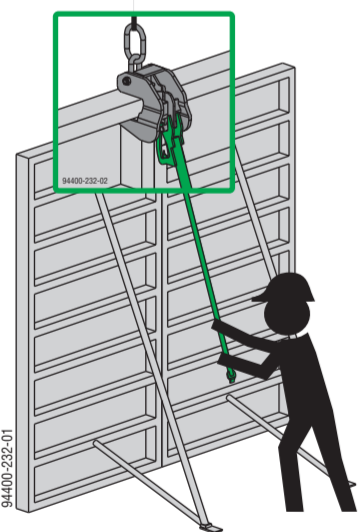
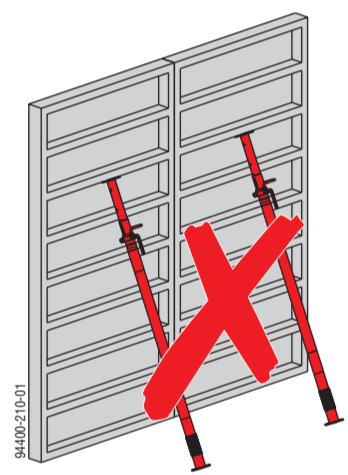
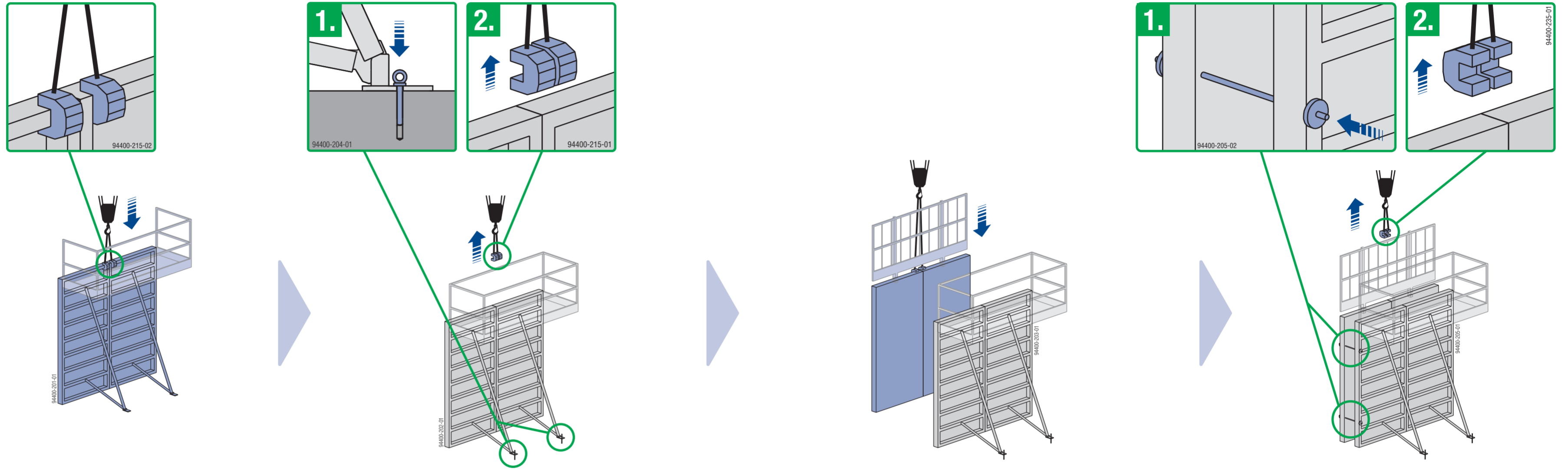


# Order of closing and stripping out the framed formwork with Platform system Xsafe plus

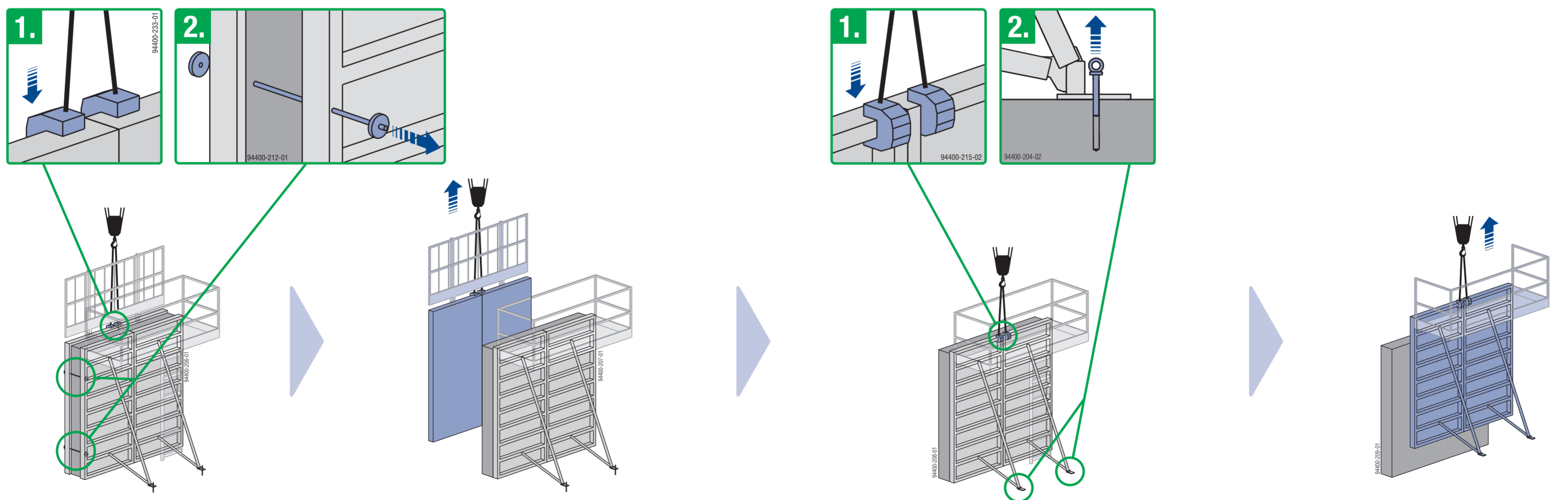


This poster does not replace the respective user information!  
[www.doka.com/downloadcenter](http://www.doka.com/downloadcenter)

## Closing the formwork



## Stripping out the formwork



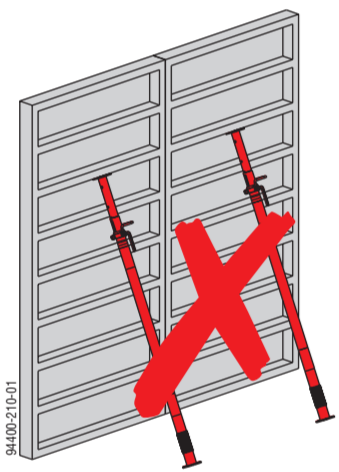
# Order of closing and stripping out the framed formwork with Platform system Xsafe plus



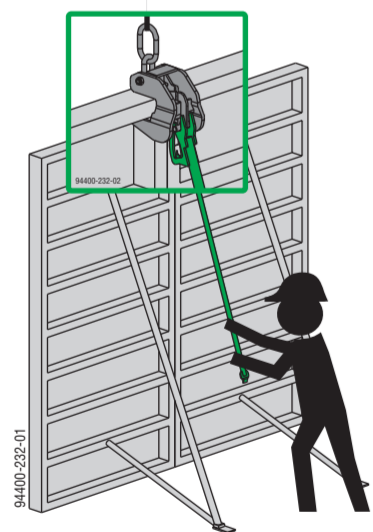
94400-100



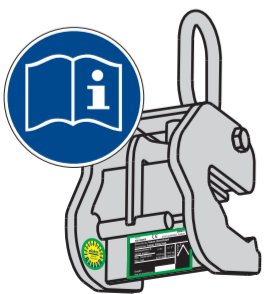
94400-101



94400-210-01

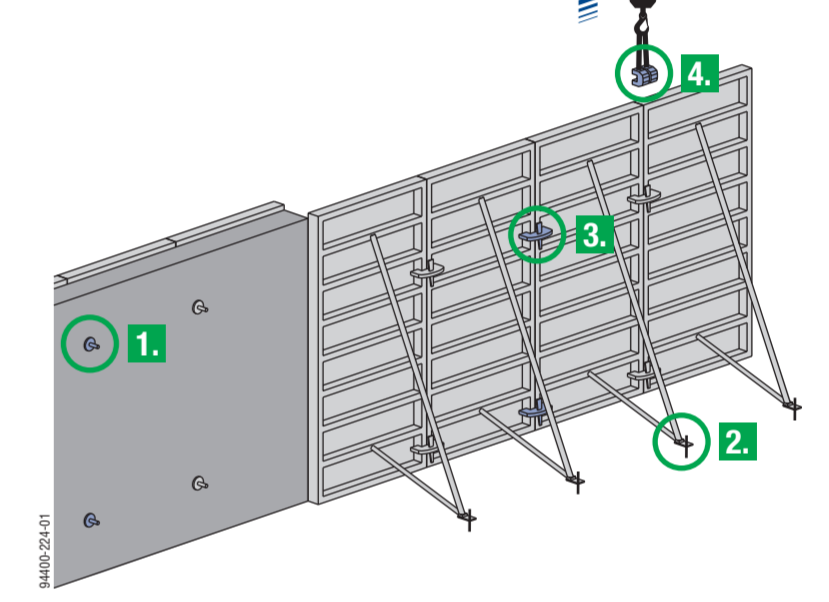
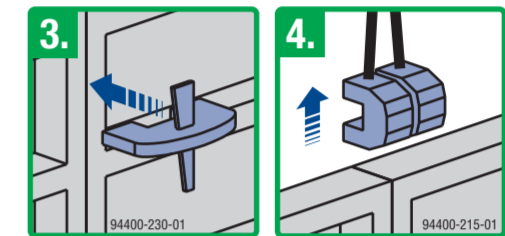
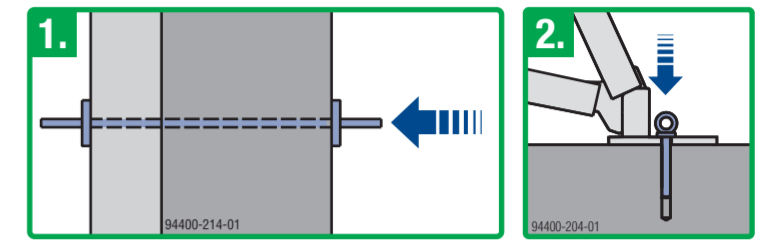
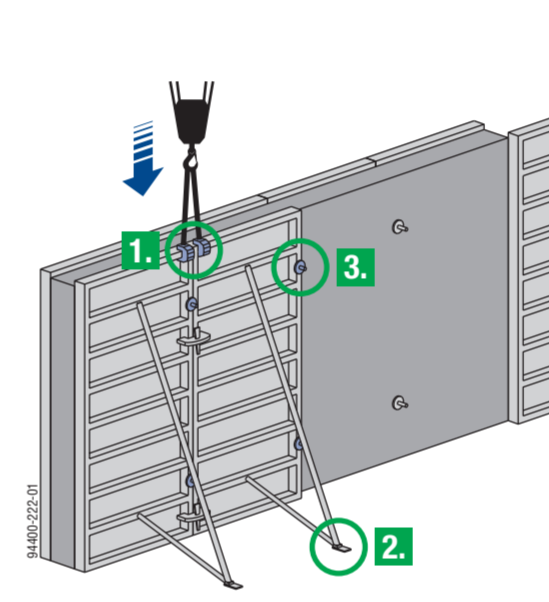
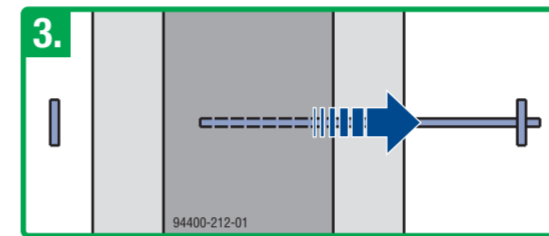
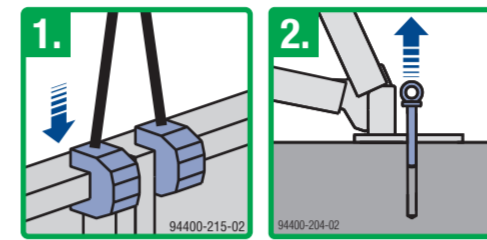
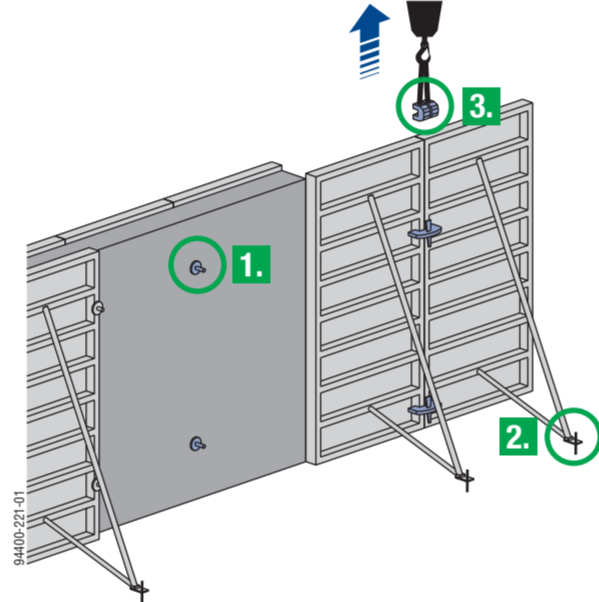
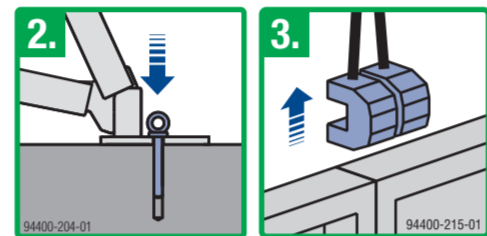
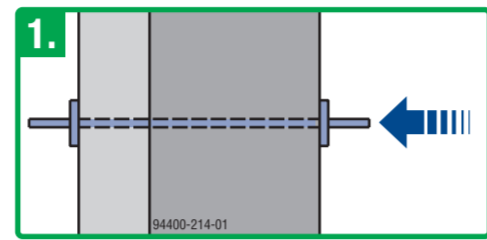
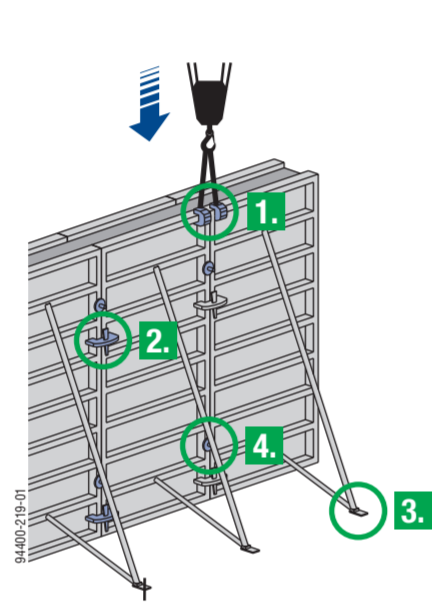
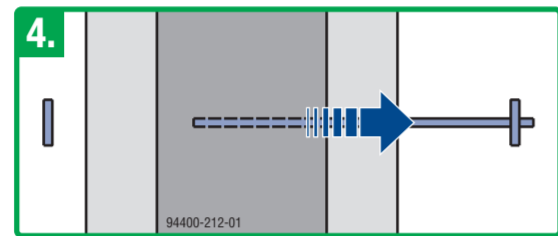
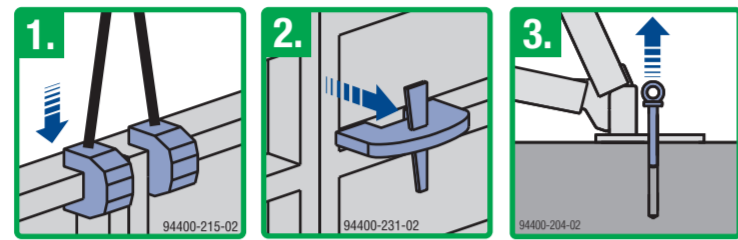


94400-226-01



This poster does not replace the respective user information!  
www.doka.com/downloadcenter

## Lifting the holding formwork



## Lifting the opposing formwork

