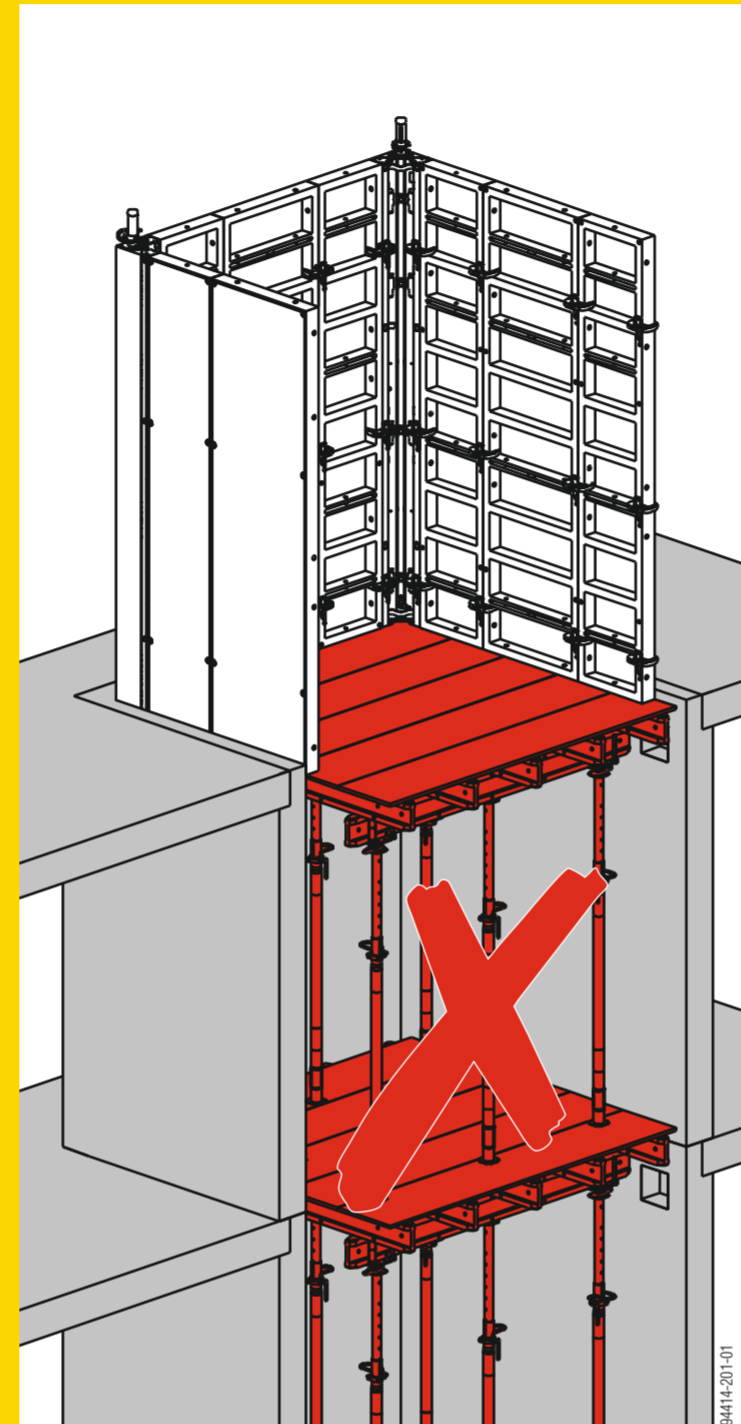
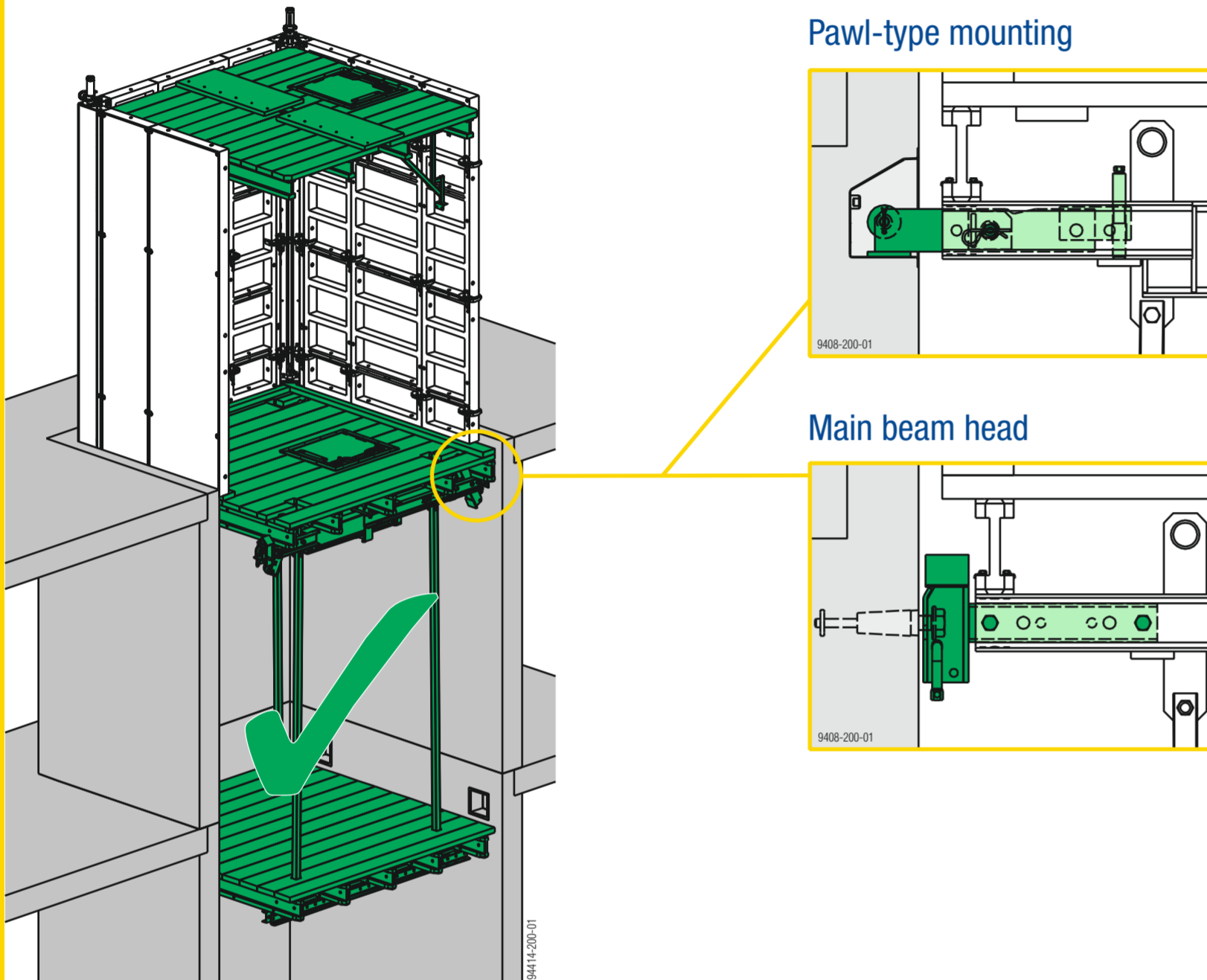


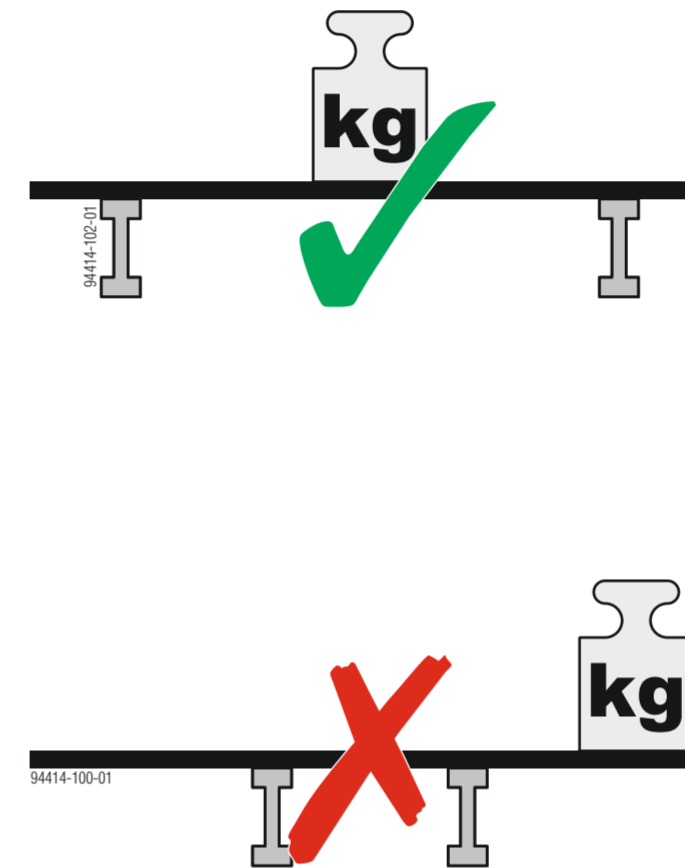
Safe working in the shaft area

Shaft platform

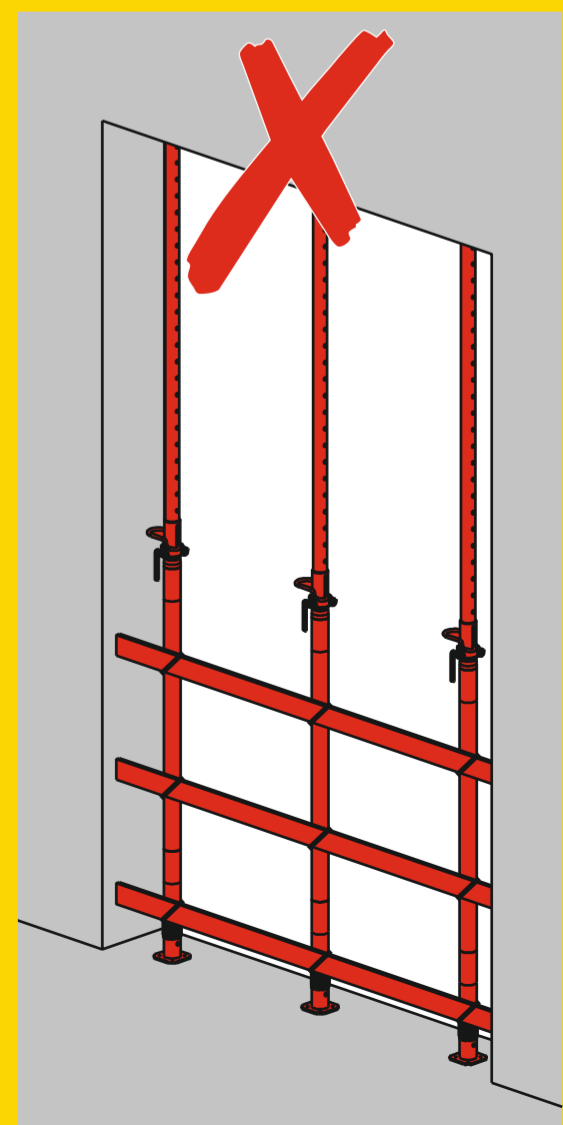
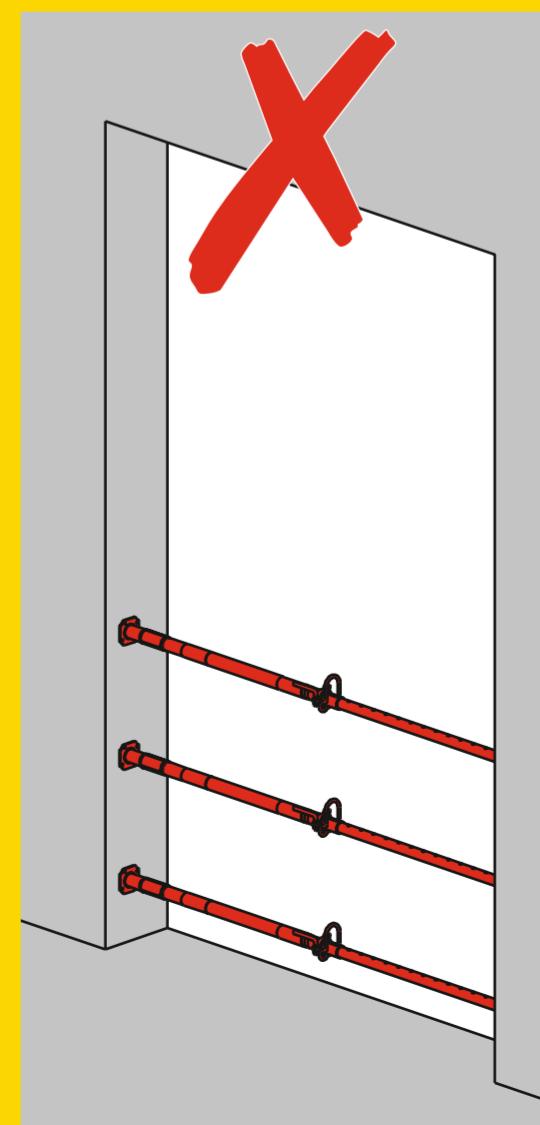
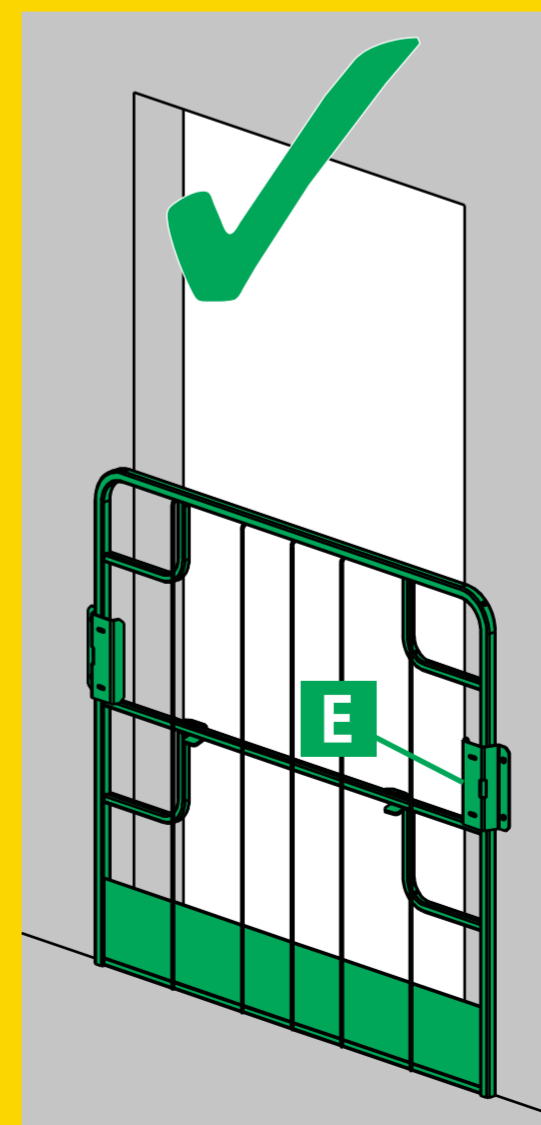
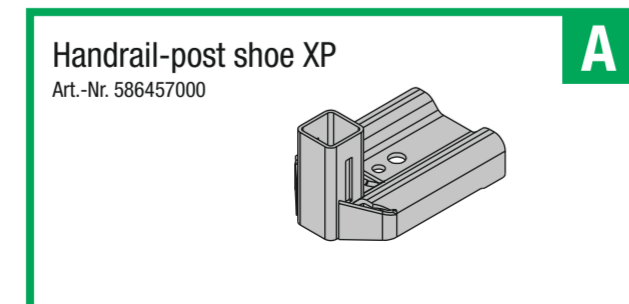
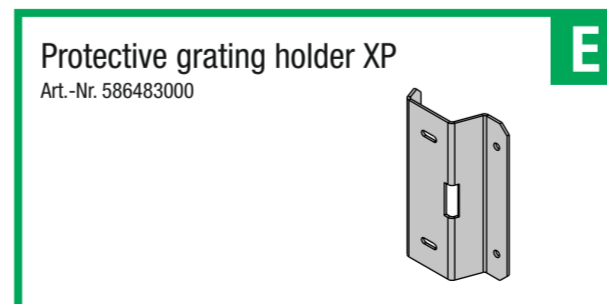
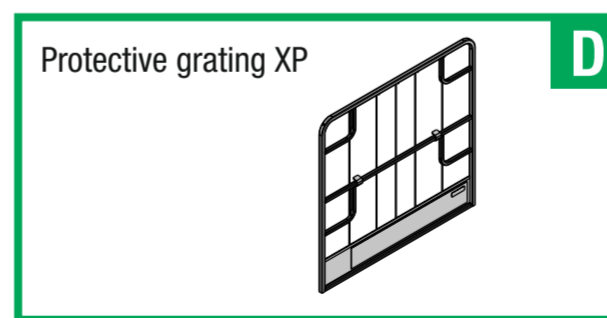
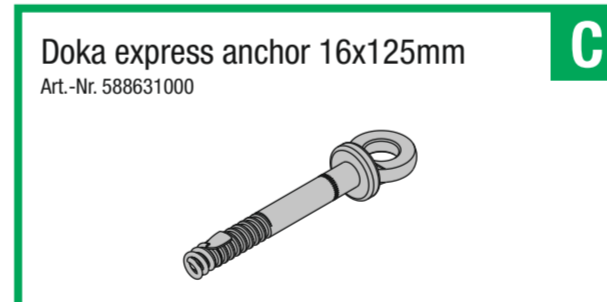
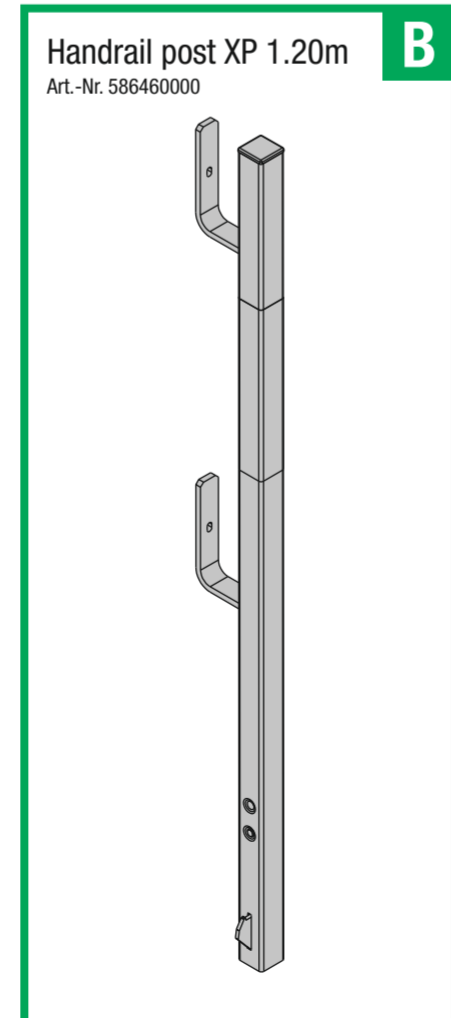
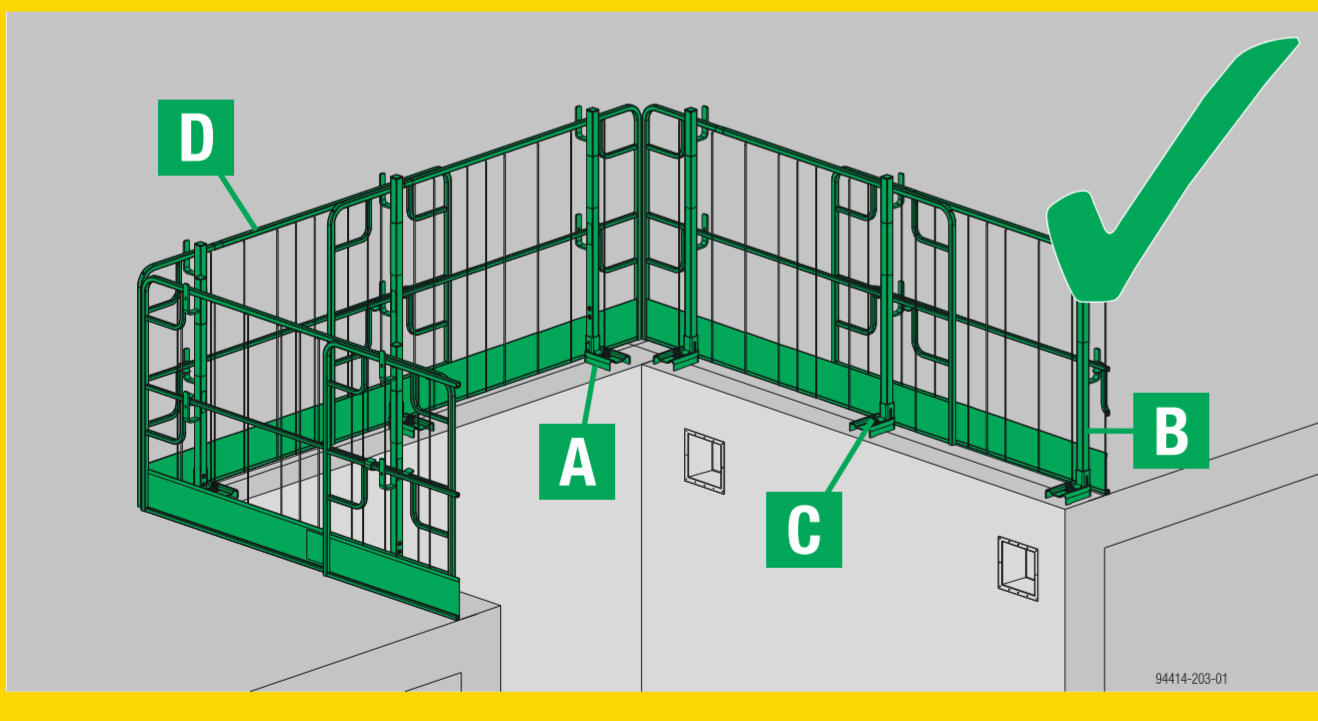
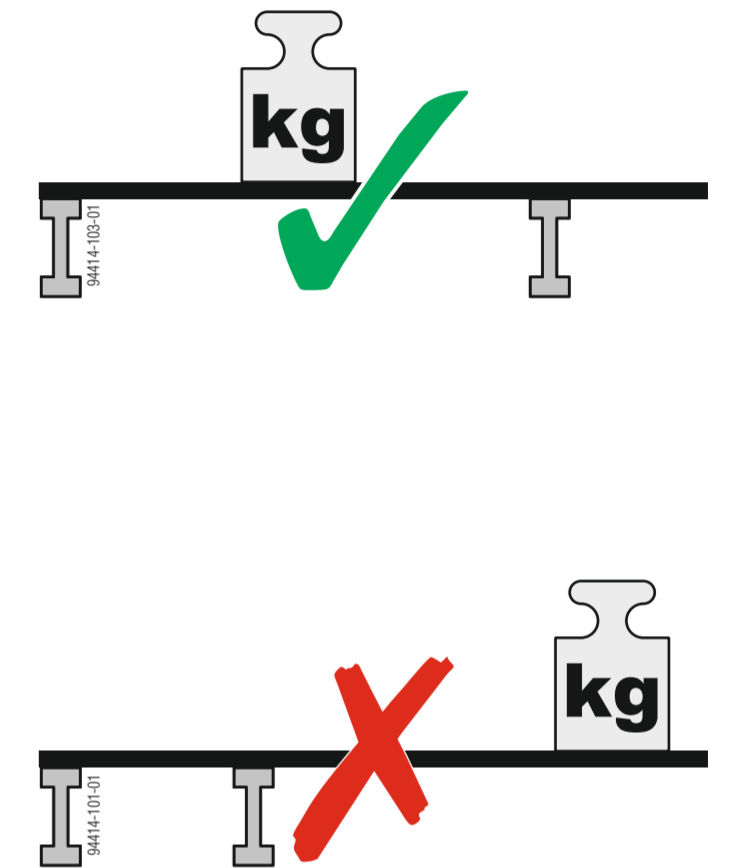


Eccentrically applied loads

Symmetrical platforms



Asymmetrical platforms



This poster does not replace the respective user information or operating instruction!
www.doka.com/downloadcenter