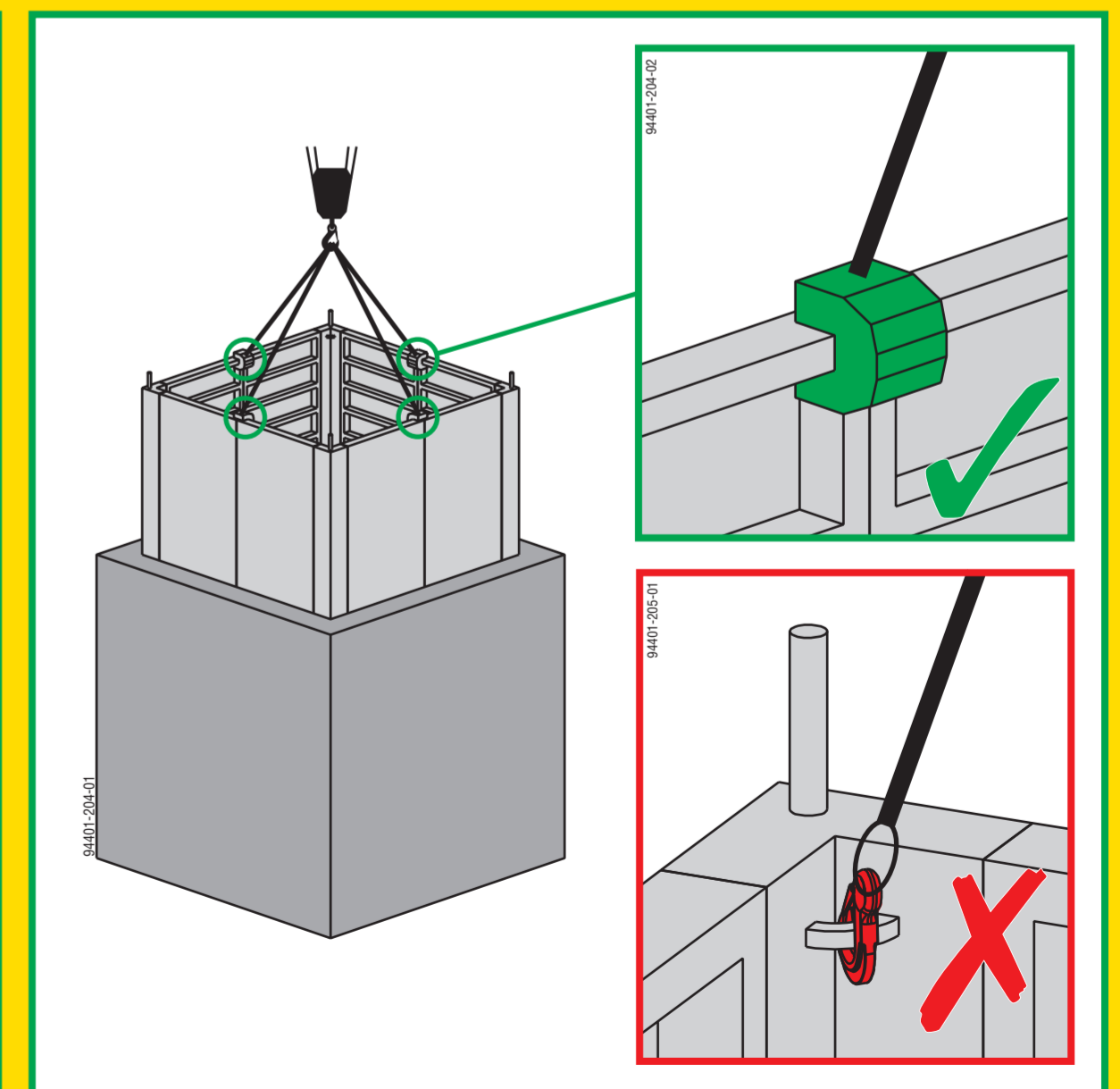
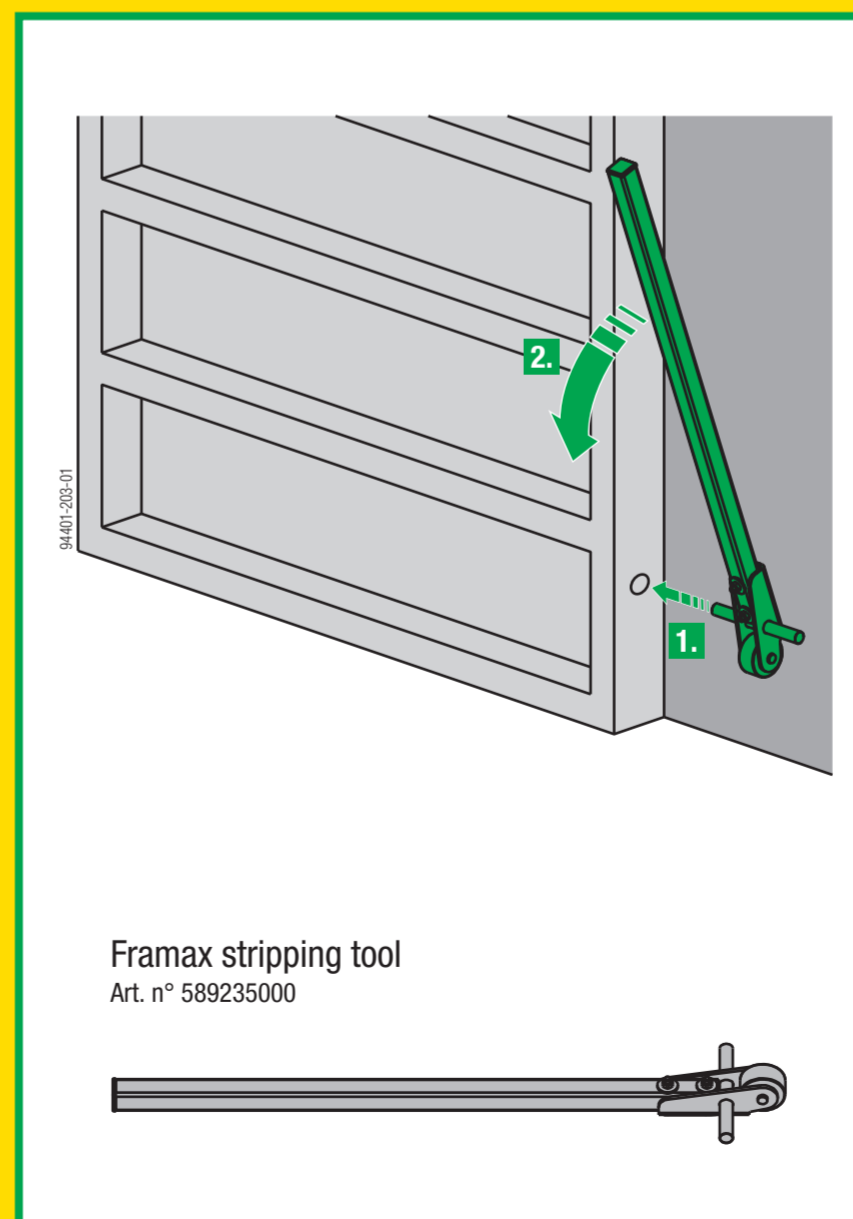
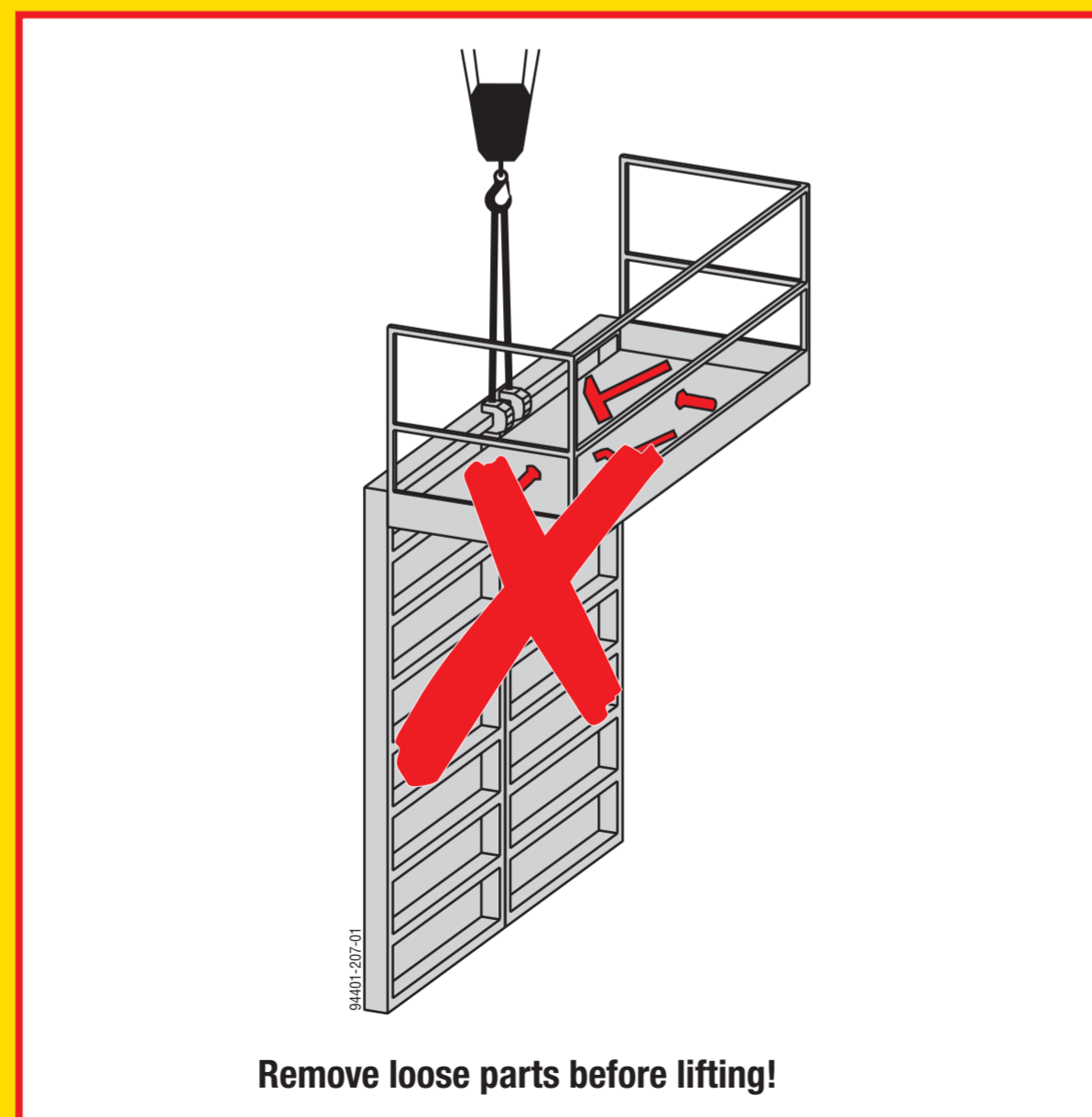
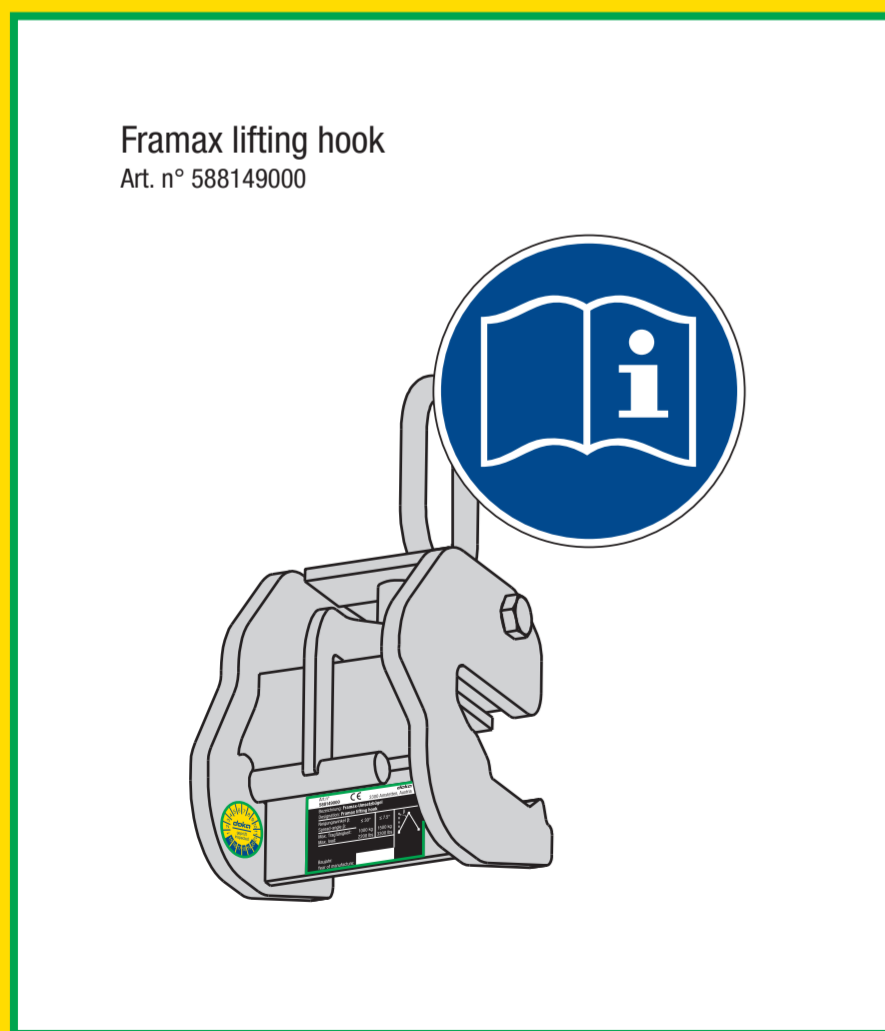
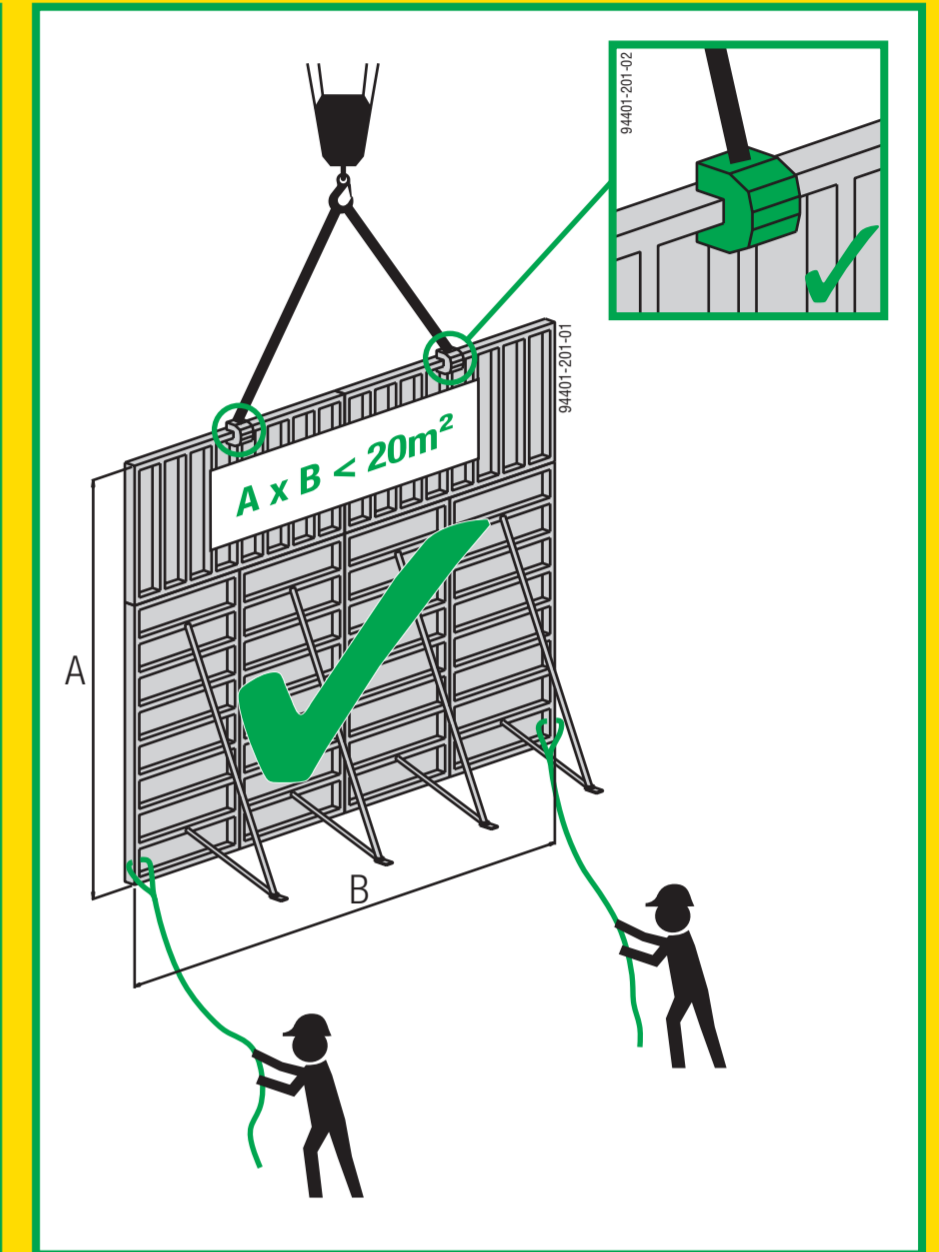
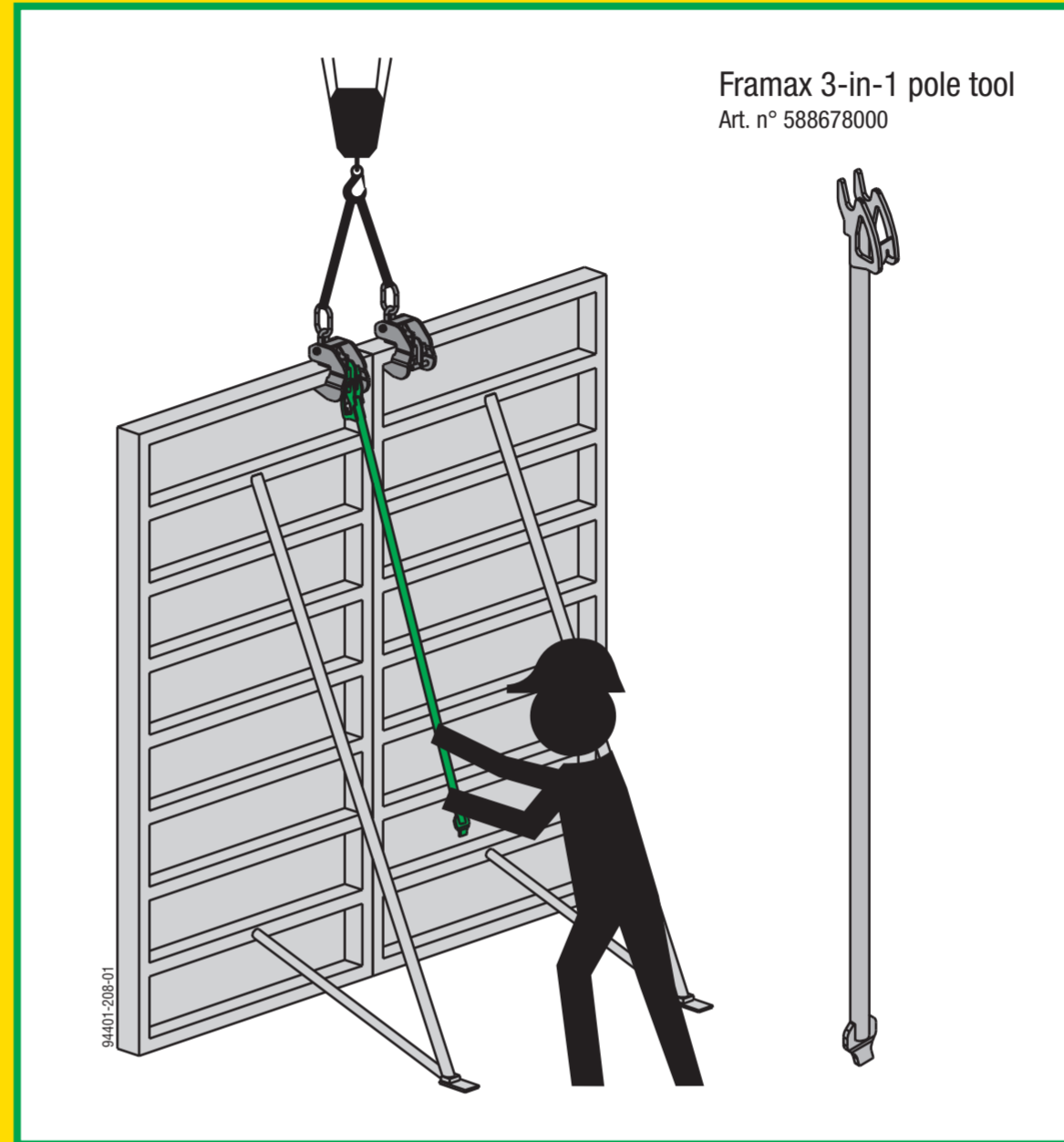
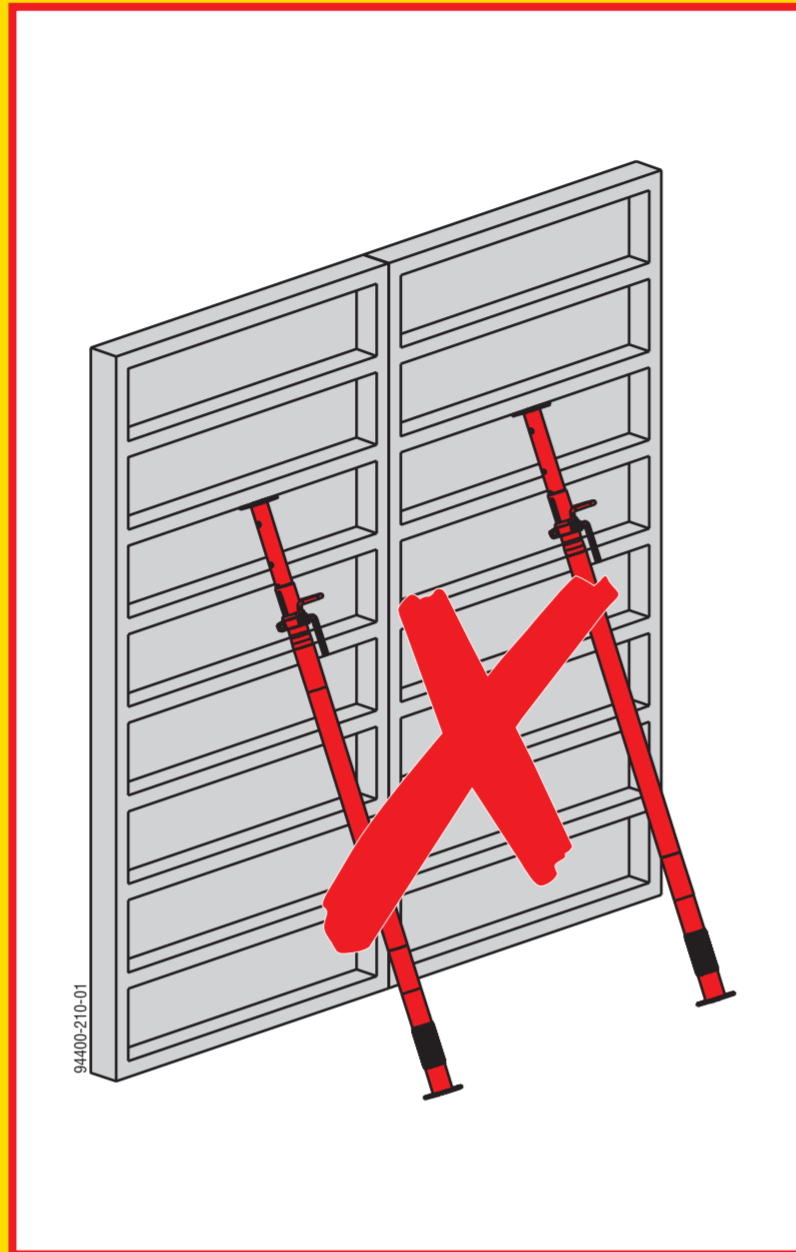
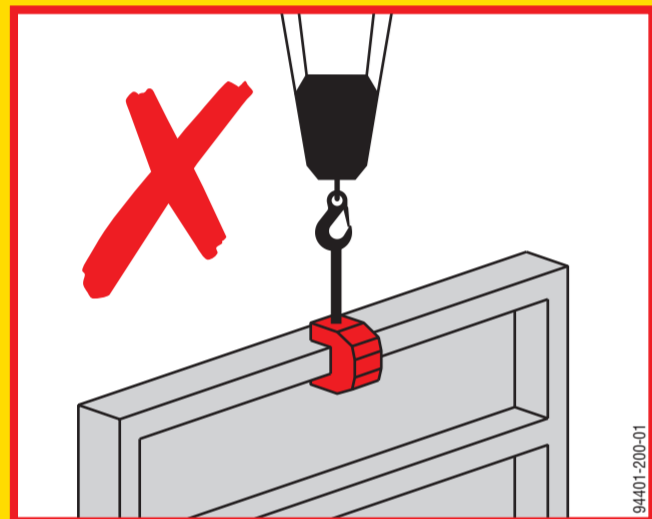
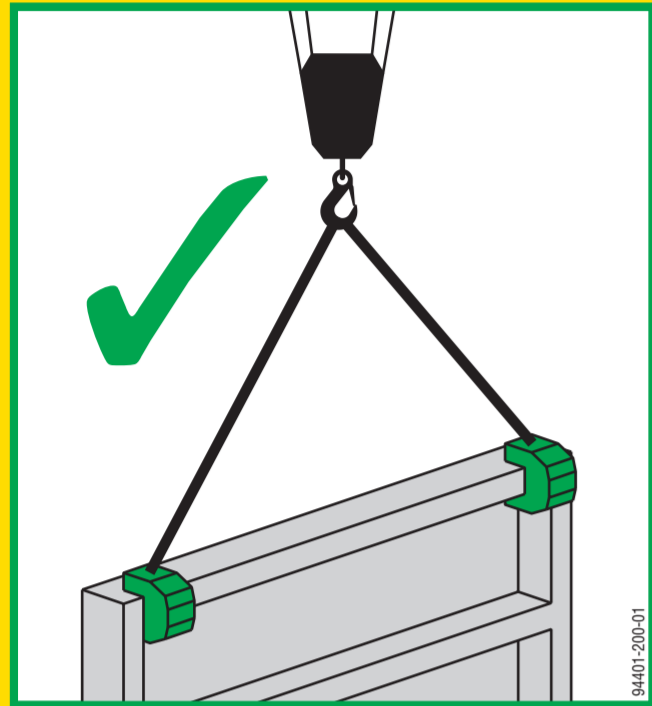


# Lifting of framed formwork



This poster does not replace the respective user information!  
[www.doka.com/downloadcenter](http://www.doka.com/downloadcenter)