





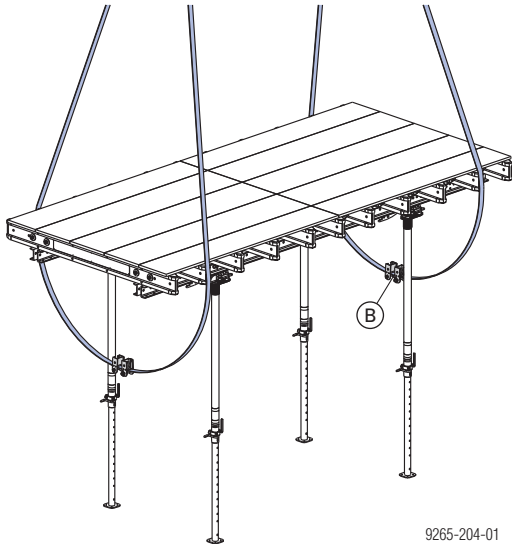




## Lifting single tables

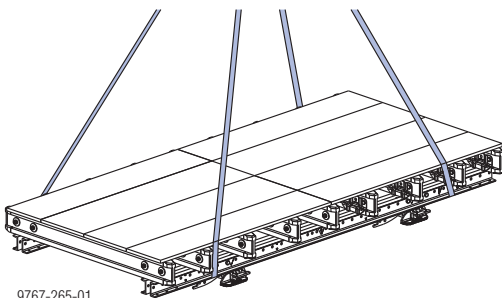
The integrated **strap shoes** are **not** pushed onto the secondary beams. This makes it possible to operate the Lifting strap 13.00m when working from ground level.

The strap shoes can either remain on the strap, or be detached from it as needed.



9265-204-01

**B** Strap shoes



9767-265-01



### NOTICE

It is only allowed to lift **one** table at a time in each crane cycle!



### WARNING

**Risk of intermediate props dropping out when table is lifted**

- ▶ **Intermediate props** with a Supporting head H20 DF, and props that are only secured against tipping over, must be **removed** before the table is lifted.
- ▶ Intermediate props that are attached by an **Intermediate head DF** and that are not dis-mounted must be pulled in sufficiently far.



### WARNING

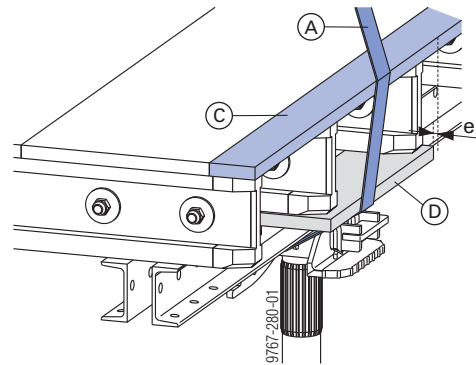
- ▶ "Passenger transportation" is forbidden!
- ▶ Before repositioning the tableform, remove any loose items (e.g. fitting-boards) from it.
- ▶ Check the connections between the floor props and the table before repositioning it.



### NOTICE

**Tables with pre-mounted edge strips or covered in sheeting across entire width.**

A nailed-on plank (approx. 15 x 5 x 60 cm) prevents the lifting strap damaging or breaking off the edge strip.



e ... approx. 1.0 cm

**A** Dokamatic lifting strap 13.00m

**C** Edge strip

**D** Plank

## Declaration of Conformity



EC Declaration of Conformity  
pursuant to EC Directive 2006/42/EC.

The manufacturer declares that by reason of its conception and design, the following product

**Dokamatic lifting strap 13.00m, Art. n° 586231000**  
**Dokamatic lifting strap 13.00m SN, Art. n° 586231500**

conforms – in the version marketed by ourselves – to the pertinent fundamental health and safety stipulations of the relevant EC Directives.

**The following harmonised standards were applied:**

- EN ISO 12100:2010
- EN ISO 12100-2:2009
- EN 349:1993+A1:2008
- EN 1492-1:2000+A1:2008

**Person authorised to compile technical documentation (pursuant to European Directive on Machinery Annex II):**

Dipl.-Ing. Ludwig Pekarek  
Josef Umdasch Platz 1  
A-3300 Amstetten

Amstetten, 06/11/2017

Doka GmbH  
Josef Umdasch Platz 1  
A-3300 Amstetten

Ludwig Pekarek  
Executive Manager

Dipl.-Ing. Peter Reisinger  
Authorised Officer, Head of Engineering